



STREET LIGHTS



FL STRELED-60



FL STRELED-90



FL STRELED-120

STREET LIGHT SERIES

The FL STRELED range of street pole mounted luminaires offer an extremely high quality LED alternative to traditional incandescent street fittings. The range will offer up to 80% consumption savings against traditional street luminaires. Designed to be easily installed and retrofitted, each fitting comes with integral LED driver and full Lumidat files.

The thermal management system ensures maximum output and long-term durability.

LED Streetlight Installation
Blanchardstown, Dublin

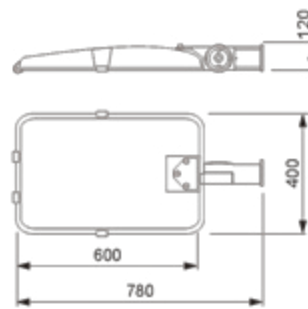


- High Lumen LED Output
- Up to 85% Consumption Saving
- 50,000hr lamp life
- Aluminium Housing c/w Thermal Management System
- Integral LED Driver
- Full conformity to CE/RoHS Standards
- No UV/RF Radiation
- Maintenance Free Illumination

STREETLIGHT SERIES

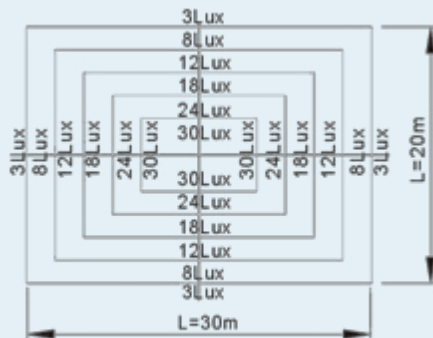
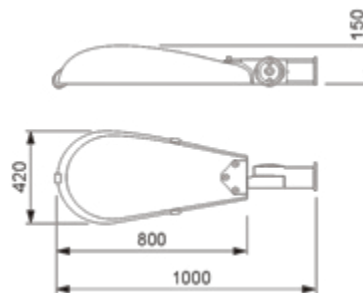
FL STRESQ-120

- **Wattage:** 120W
- **Lumen Output:** 9600lms
- **Beam Angle:** 120°
- **Colour Ra Index:** 80ra
- **Housing:** Aluminium, Glass Cover
- **Colour Temp:** 3000-4000k warm/5000-6000 cold
- **IP Rating:** IP65
- **Energy Saving:** 80% Consumption Saving
- **Warranty:** 2 years

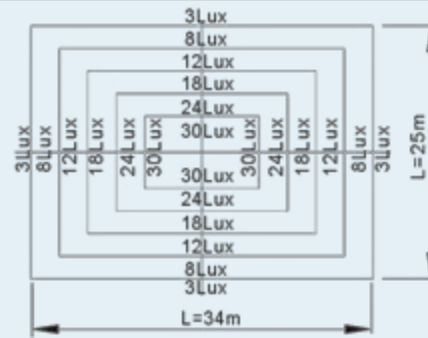


FL STRECOBRA-80

- **Wattage:** 80W/120W
- **Lumen Output:** 6400lms/9600lms
- **Beam Angle:** 120°
- **Colour Ra Index:** 80ra
- **Housing:** Aluminium, Glass Cover
- **Colour Temp:** 3000-4000k warm/5000-6000 cold
- **IP Rating:** IP65
- **Energy Saving:** 80% Consumption Saving
- **Warranty:** 2 years

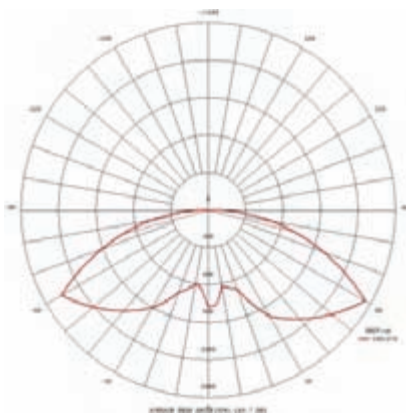
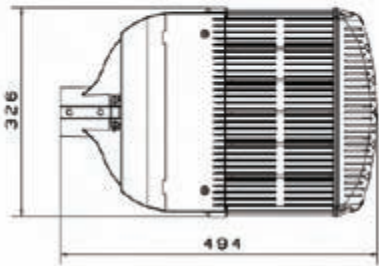


Lux diagram (H=10M)
FL STRESQ-120

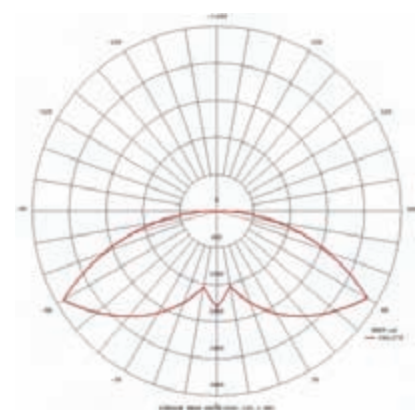
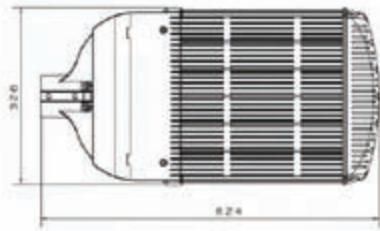


Lux diagram (H=12M)
FL STRECOBRA-80

FL STRELED-30

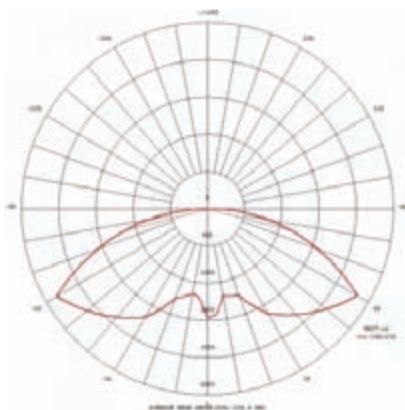
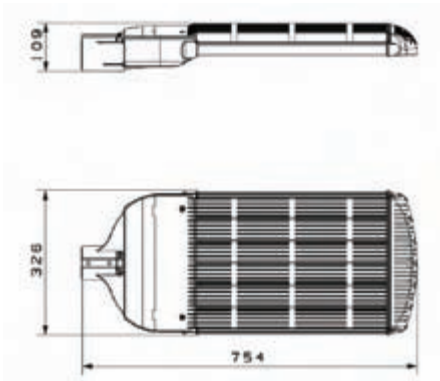


LED QTY, LED Power	30pcs, 30W
Total Power	33W
Input Voltage	90 - 264 V AC or 12/24 V DC
Frequency Range	50 - 60 Hz
Power Supply Efficiency	≥90%
LED Inital Luminous Flux	3,000 lm (Ta=25°C)
LED Maintain Luminous Flux	2,700 lm (Ta=25°C)
Colour Temperature (CCT)	Cool White: 6 - 6,500 Pure White: 5 - 5,500 Warm White: 3 - 3,500
Colour Index (CRI)	Pure White: Ra ≥75 Warm White: Ra ≥80
Beam Angle (50%)	Vertical Axis: 67° Horizontal Axis: 150°
Beam Angle (10%)	Vertical Axis: 116° Horizontal Axis: 175°
Center Illuminated Area (E) (50% Beam Angle)	H=4m ≥31.03lux H=5m ≥21.55lux H=6m ≥15.83lux
Average Illuminated Area (E) (50% Beam Angle)	H=4m ≥9.3lux H=5m ≥6.5lux H=6m ≥4.7lux
IP Rating	IP 65
Lifespan	50,000hrs life 3yrs Warranty
Light Body & Shade	Aluminium and Reinforced Glass
Dimension	494 x 326 x 109 mm
Net Weight	6.3 kgs
Packing Manner	1pc/ Carton
Packing Dimension	595 x 380 x 130 mm
Packing Gross Weight	7.0 kgs
Listing	CE, RoHS, FCC



LED QTY, LED Power	60pcs, 60W
Total Power	67W
Input Voltage	90 - 264 V AC or 12/24 V DC
Frequency Range	50 - 60 Hz
Power Supply Efficiency	≥90%
LED Initial Luminous Flux	6,000 lm (Ta=25°C)
LED Maintain Luminous Flux	5,400 lm (Ta=25°C)
Colour Temperature (CCT)	Cool White: 6 - 6,500 Pure White: 5 - 5,500 Warm White: 3 - 3,500
Colour Index (CRI)	Pure White: Ra ≥75 Warm White: Ra ≥80
Beam Angle (50%)	Vertical Axis: 67° Horizontal Axis: 150°
Beam Angle (10%)	Vertical Axis: 116° Horizontal Axis: 175°
Center Illuminated Area (E) (50% Beam Angle)	H=6m ≥31.91lux H=7m ≥24.43lux H=8m ≥19.31lux
Average Illuminated Area (E) (50% Beam Angle)	H=6m ≥9.6lux H=7m ≥7.3lux H=8m ≥5.8lux
IP Rating	IP 65
Lifespan	50,000hrs life 3yrs Warranty
Light Body & Shade	Aluminium and Reinforced Glass
Dimension	624 x 326 x 109 mm
Net Weight	8.0 kgs
Packing Manner	1pc/Carton
Packing Dimension	725 x 380 x 130 mm
Packing Gross Weight	9.2 kgs
Listing	CE, RoHS, FCC

FL STRELED90



LED QTY, LED Power	90pcs, 90W
Total Power	100W
Input Voltage	90 - 264 V AC No DC Power
Frequency Range	50 - 60 Hz
Power Supply Efficiency	≥90%
LED Initial Luminous Flux	9,000 lm (Ta=25°C)
LED Maintain Luminous Flux	8,100 lm (Ta=25°C)
Colour Temperature (CCT)	Cool White: 6 - 6,500 Pure White: 5 - 5,500 Warm White: 3 - 3,500
Colour Index (CRI)	Pure White: Ra ≥75 Warm White: Ra ≥80
Beam Angle (50%)	Vertical Axis: 70° Horizontal Axis: 150°
Beam Angle (10%)	Vertical Axis: 120° Horizontal Axis: 175°
Center Illuminated Area (E) (50% Beam Angle)	H=4m ≥28.95lux H=5m ≥23.45lux H=6m ≥19.38lux
Average Illuminated Area (E) (50% Beam Angle)	H=4m ≥8.7lux H=5m ≥7.0lux H=6m ≥5.8lux
IP Rating	IP 65
Lifespan	50,000hrs life 3yrs Warranty
Light Body & Shade	Aluminium and Reinforced Glass
Dimension	754 x 326 x 109 mm
Net Weight	9.2 kgs
Packing Manner	1pc/ Carton
Packing Dimension	595 x 380 x 130 mm
Packing Gross Weight	10.2 kgs
Listing	CE, RoHS, FCC

LED QTY, LED Power	120pcs, 120W
Total Power	133W
Input Voltage	90 - 264 V AC or 12/24 V DC
Frequency Range	50 - 60 Hz
Power Supply Efficiency	≥90%
LED Initial Luminous Flux	12,000 lm (Ta=25°C)
LED Maintain Luminous Flux	10,800 lm (Ta=25°C)
Colour Temperature (CCT)	Cool White: 6 - 6,500 Pure White: 5 - 5,500 Warm White: 3 - 3,500
Colour Index (CRI)	Pure White: Ra ≥70 Warm White: Ra ≥150
Beam Angle (50%)	Vertical Axis: 70° Horizontal Axis: 150°
Beam Angle (10%)	Vertical Axis: 120° Horizontal Axis: 175°
Center Illuminated Area (E) (50% Beam Angle)	H=6m ≥26.65lux H=7m ≥22.40lux H=8m ≥19.08lux
Average Illuminated Area (E) (50% Beam Angle)	H=6m ≥8.0lux H=7m ≥6.7lux H=8m ≥5.7lux
IP Rating	IP 65
Lifespan	50,000hrs life 3yrs Warranty
Light Body & Shade	Aluminium and Reinforced Glass
Dimension	884 x 326 x 109 mm
Net Weight	12.4 kgs
Packing Manner	1pc/ Carton
Packing Dimension	985 x 380 x 130 mm
Packing Gross Weight	13.6 kgs
Listing	CE, RoHS, FCC

