



# FLStripline LED

## Details

The FLStripline LED is an extremely robust and versatile exterior linear Striplight system. The system utilises the FLpod LED LUX modular LED light source within a durable and lightweight powder coated aluminium box section base housing. The fitting is then enclosed behind a stippled polycarbonate cover for maximum protection and incomparable durability.

Typically fabricated for bespoke installations the system is available in lengths up to 3m. It is available in single colour or colour changeable.

## Features

- Available in custom lengths, up to a maximum of 3 metres
- Clear or frosted cover
- Single colour or colour change
- 2 sizes - 35x35mm or 35x60mm
- Vandal resistant
- Suitable for exterior applications
- IP67 Rated

## Applications

- Recessed Linear Ground Light
- Recessed Linear wall light
- Used within LED handrail applications
- Bridge lighting – within balustrades.

FLStripline recessed within balustrade



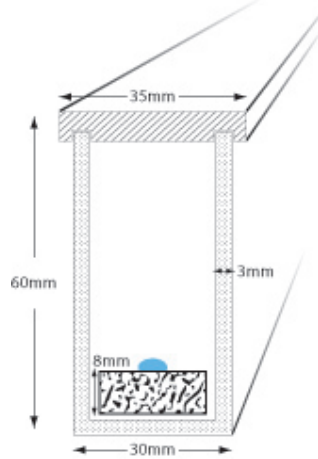
FLStripline recessed within handrail



## Product Specifications

### FLSripline LED

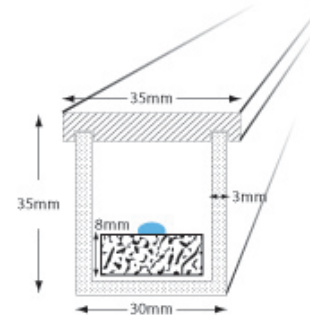
- **Input Voltage:** 100-240 VAC
- **Output Voltage:** 12V DC
- **Light Source:** FL PodLED LUX
- **Power:** 5W approx. per linear metre
- **Colour:** R, G, B, A, White, Warm White and RGB
- **Fixture Material:** Aluminium, Polycarbonate
- **Life Span:** 50000Hours
- **Dimensions:** 35x60mm, 35x35mm - up to 3m length
- **Housing:** Resin Sealed



FL Stripline LED 60



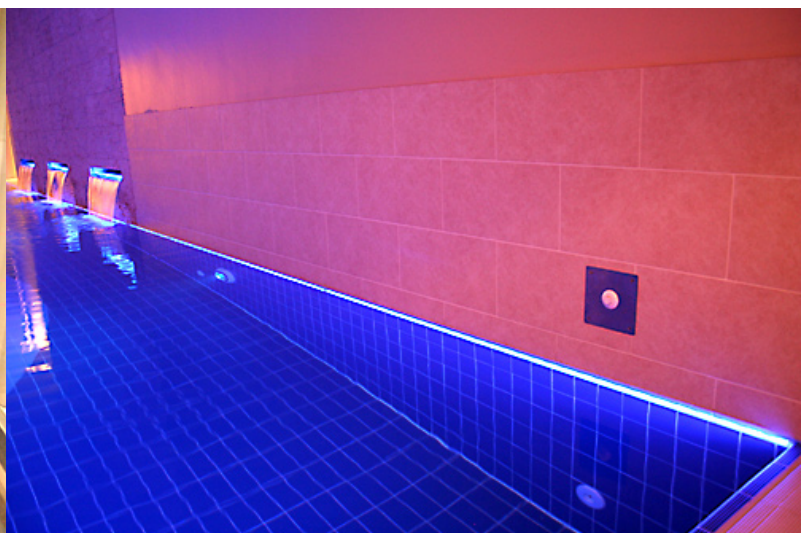
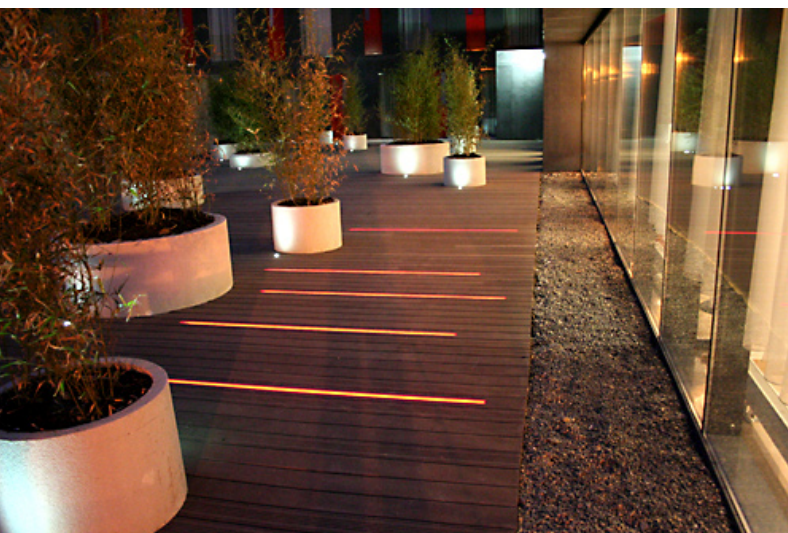
FL Stripline within handrail



FL Stripline LED 35

Ground recessed FL Stripline

Wall recessed FL Stripline





## POD LEDS



FLPodLED LUX Recessed within building facia  
IAWS headquarters, Grange Castle



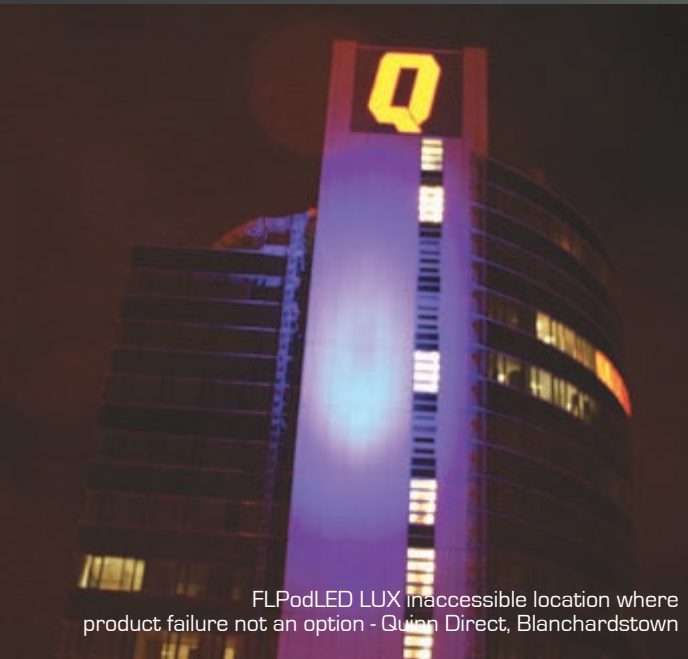
### FLPod LED LUX SERIES

FLPod LED Lux Strip is a modular strip light system. It has proven to be exceptionally reliable and stable in countless diverse applications - from external signage/cove lighting to recessed strips in extreme areas such as pools, saunas and water features. Its used internally and externally as a decorative light source and low consumption alternative to traditional strip lighting. It is 12V and comes pre-sealed and pre-wired with maximum moisture protection.

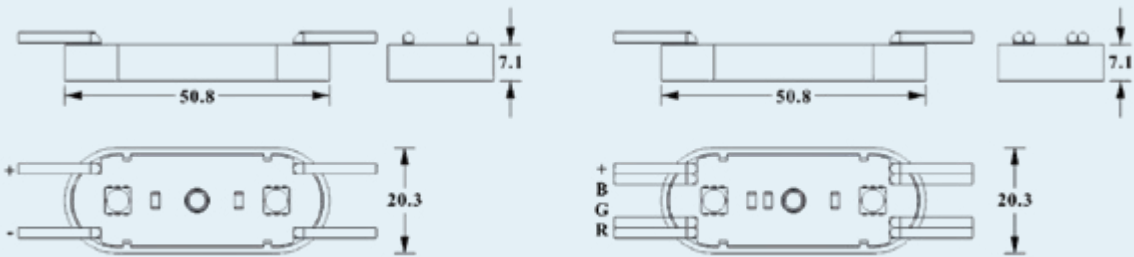
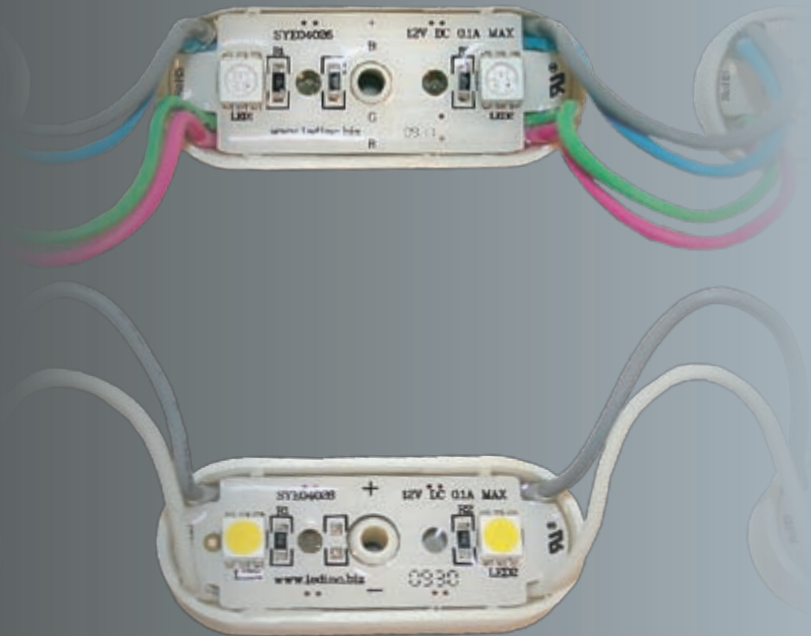
- Replacement for neon, fluorescent and signage lighting
- Exterior/Wet Location strip lighting applications
- Proven durability in countless strip-lighting applications countrywide



FLPod LED Lux Strip installed within signage light boxes throughout Dublin Airport replacing fluorescent tubes achieving 90% consumption savings



FLPodLED LUX inaccessible location where product failure not an option - Quinn Direct, Blanchardstown



(exact product dimensions may be subject to change due to product evolution and improvements)

Units: mm

- High Brightness SMD LED
- 12V DC Low Voltage, Low Power Consumption (Less than 5Watts per metre)
- 100° Beam Angle
- 3 Year Warranty
- Replaces fluorescent within cove, strip and signage lighting
- UL/CUL ROHS
- IP66 Rated
- Pre-Wired, Pre-Sealed
- Rated Life of up to 50,000hrs
- Installed into countless high pressure applications throughout the country



FLPodLED LUX within signage lettering and canopy strip 90% Cost Saving - Texaco Stations Countrywide



FLPodLED within a cove-lighting and recessed into pool wall - Royal Marine Hotel, Dublin