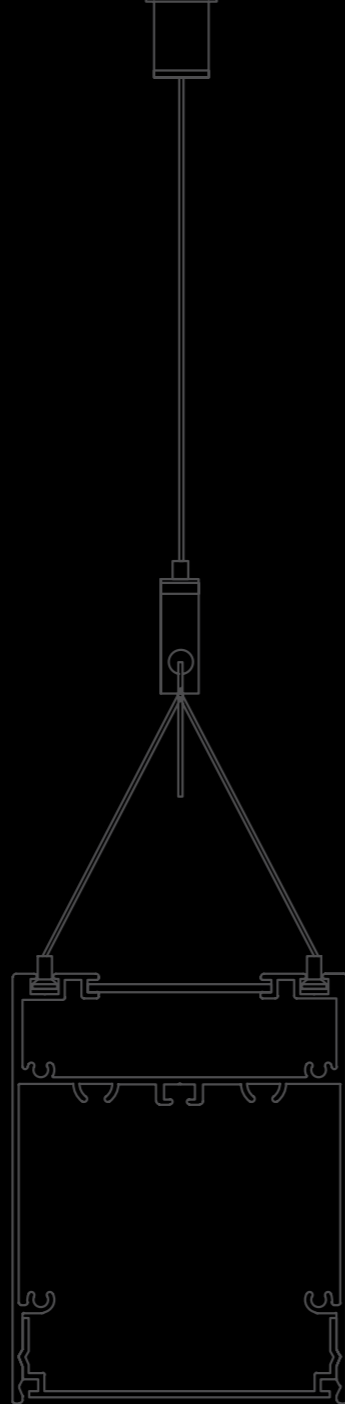


B R // G H T[®]
SPECIAL LIGHTING

fibreLED
LED Lighting Specialists

fibreled.com

PROFILES



NOTUS 1



146-149

NOTUS 14



150-151

NOTUS 16



152-155

NOTUS 17



156-157

NOTUS 5



158-159

NOTUS 19



160-161

NOTUS 2



162-163

NOTUS 9



164-165

NOTUS 11



166-167

NOTUS 12



168-169

NOTUS 18



170-171

NOTUS 25



172-173

NOVITAS



174-175

FUGA



176-181

NOVUS



182-183

OCULUS



184-185

ADITUS

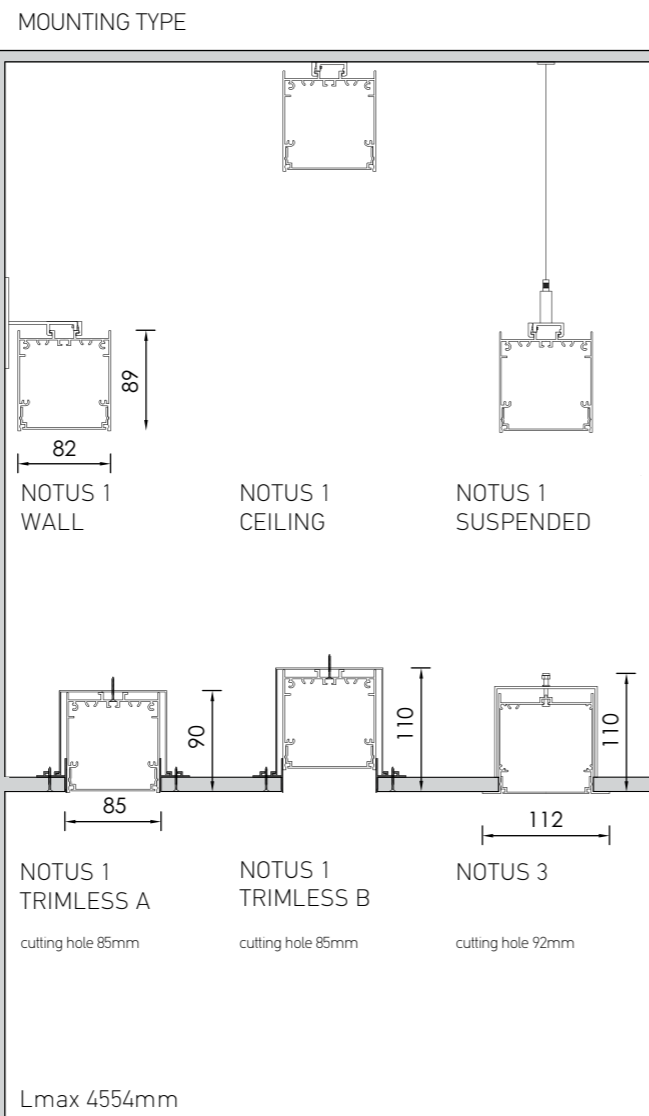
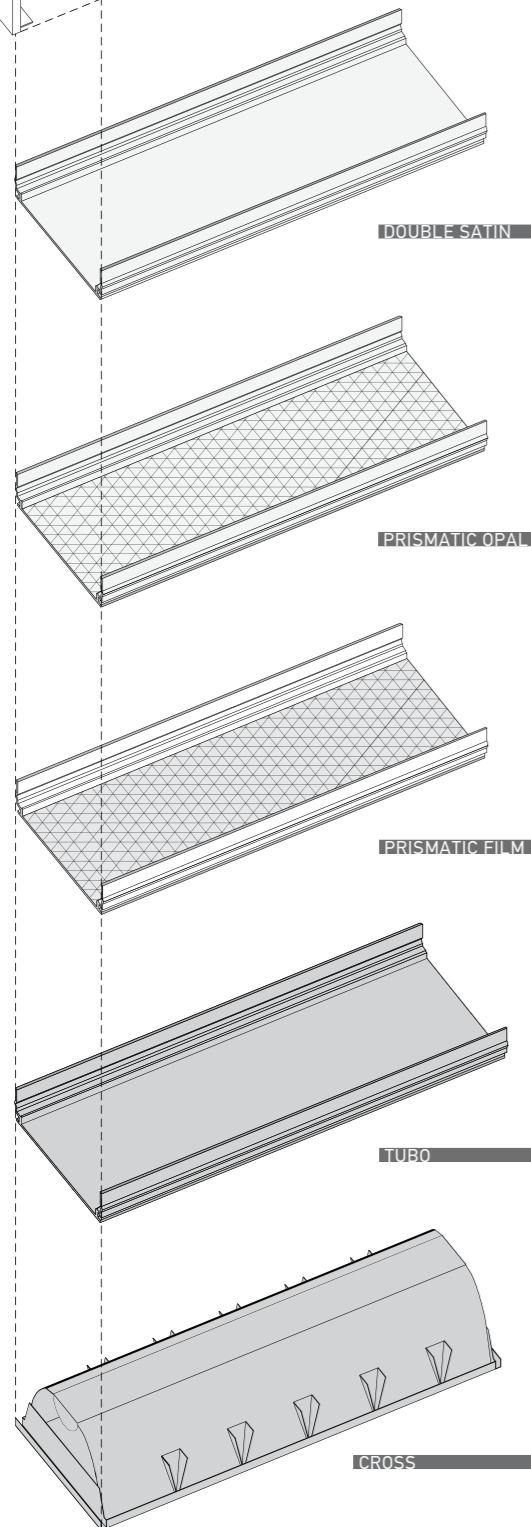
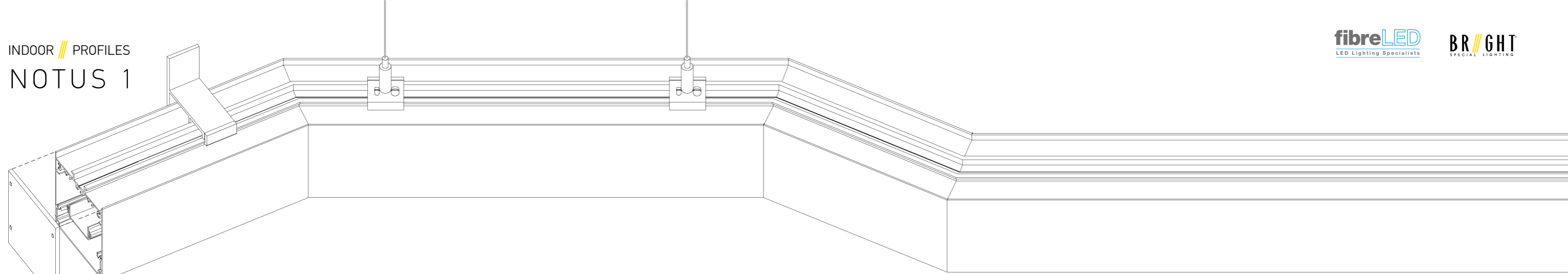


186-187

COMIS



188-191



Glare from a lighting system is estimated using the UGR (Unified Glare Rating) value. Activities with relative difficulty in their execution, usually require small values of the glare index. The factors that define the UGR value are the luminosity of luminaires, their size, their relative position in the direction of observation and finally the background luminosity. Glare can be a negative factor especially for workplaces. There are two methods in order to reduce the glare in an indoor space, firstly by using luminaires that are low UGR rated, and secondly by a proper lighting planning that means, correct number and position of luminaires.

NOTUS 1 LINEAR LED



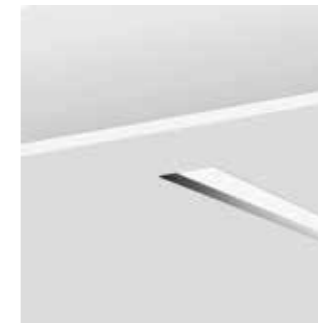
NOTUS 1 TRIMLESS A



NOTUS 1 CROSS LINEAR LED



NOTUS 1 TRIMLESS B



NOTUS 3 LINEAR LED



TECHNICAL DETAILS

Housing: Extruded aluminium
Diffuser: Extruded PMMA | Cross
Control Gear: Built-in electronic driver
IP: 40 **IK:** 04

COLORS



OPTIONAL ACCESSORIES



LIGHTING SOURCES

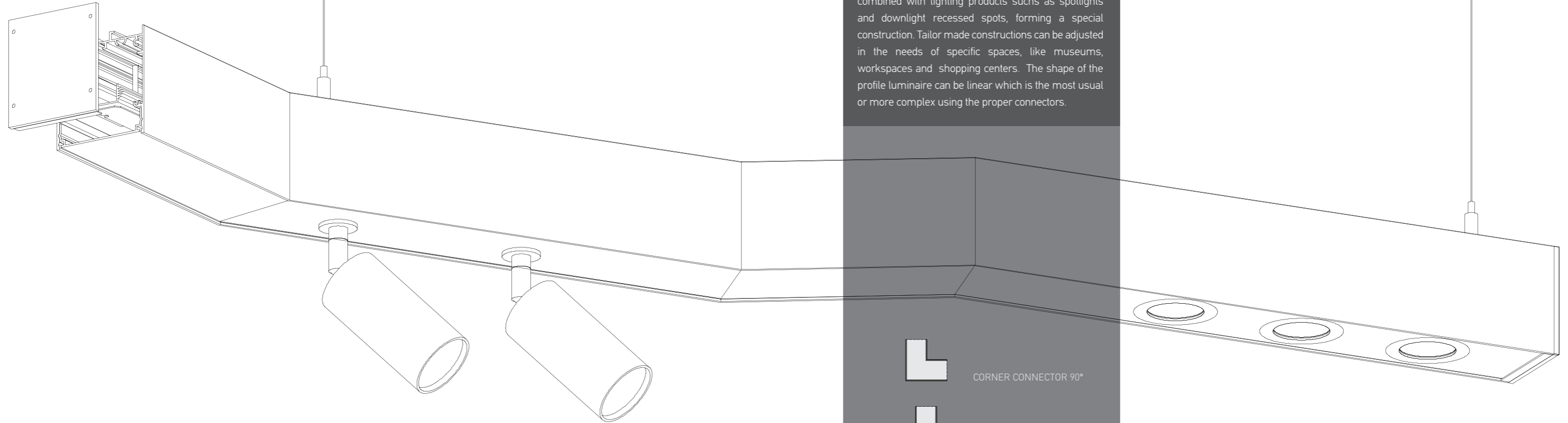
1xLinear LED G4 High Lumen Output | CRI80 | 3000K / 4000K

599mm - 16W - CRI80 - 2560Lm - 160Lm/W / 2670Lm - 167Lm/W
 884mm - 24W - CRI80 - 3840Lm - 160Lm/W / 4010Lm - 167Lm/W
 1166mm - 32W - CRI80 - 5120Lm - 160Lm/W / 5340Lm - 167Lm/W
 1449mm - 40W - CRI80 - 6400Lm - 160Lm/W / 6680Lm - 167Lm/W
 1729mm - 48W - CRI80 - 7680Lm - 160Lm/W / 8010Lm - 167Lm/W
 2014mm - 56W - CRI80 - 8960Lm - 160Lm/W / 9350Lm - 167Lm/W
 2294mm - 64W - CRI80 - 10240Lm - 160Lm/W / 10680Lm - 167Lm/W
 2579mm - 72W - CRI80 - 11520Lm - 160Lm/W / 12020Lm - 167Lm/W
 2859mm - 80W - CRI80 - 12800Lm - 160Lm/W / 13350Lm - 167Lm/W
 3144mm - 88W - CRI80 - 14080Lm - 160Lm/W / 14690Lm - 167Lm/W
 3424mm - 96W - CRI80 - 15360Lm - 160Lm/W / 16020Lm - 167Lm/W
 3709mm - 104W - CRI80 - 16640Lm - 160Lm/W / 17360Lm - 167Lm/W
 3989mm - 112W - CRI80 - 17920Lm - 160Lm/W / 18690Lm - 167Lm/W
 4274mm - 120W - CRI80 - 19200Lm - 160Lm/W / 20030Lm - 167Lm/W
 4554mm - 128W - CRI80 - 20480Lm - 160Lm/W / 21360Lm - 167Lm/W

3step MacAdam | Ripple < 3% | Lifetime>50000h
LM80 test report | Transmittance: 70%
Special diffusers UGR ≤ 19

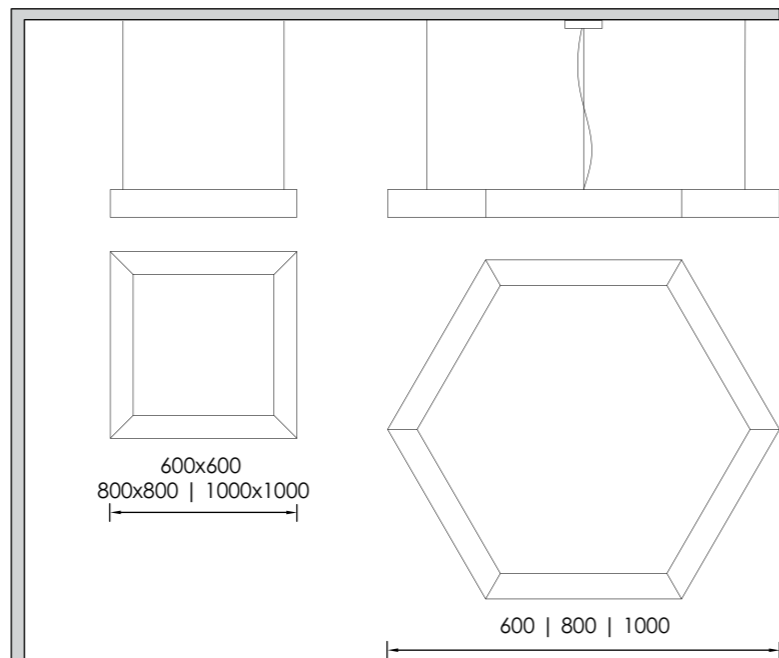
LED replacement with tools

NOTUS 1



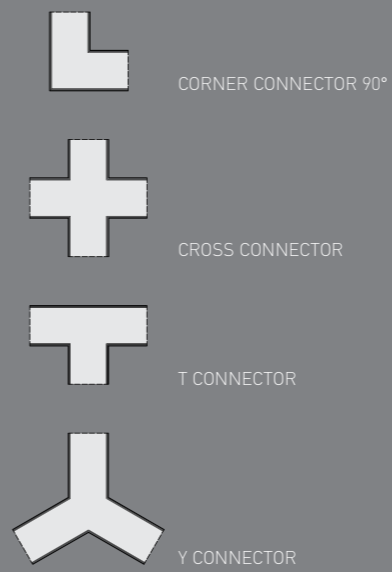
Extruded aluminium profile luminaires can be combined with lighting products such as spotlights and downlight recessed spots, forming a special construction. Tailor made constructions can be adjusted in the needs of specific spaces, like museums, workspaces and shopping centers. The shape of the profile luminaire can be linear which is the most usual or more complex using the proper connectors.

PROFILES

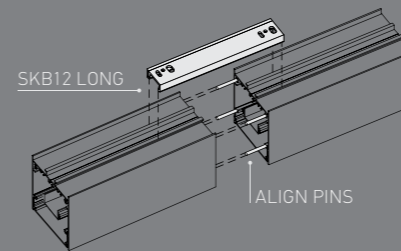


NOTUS 1 SQUARE

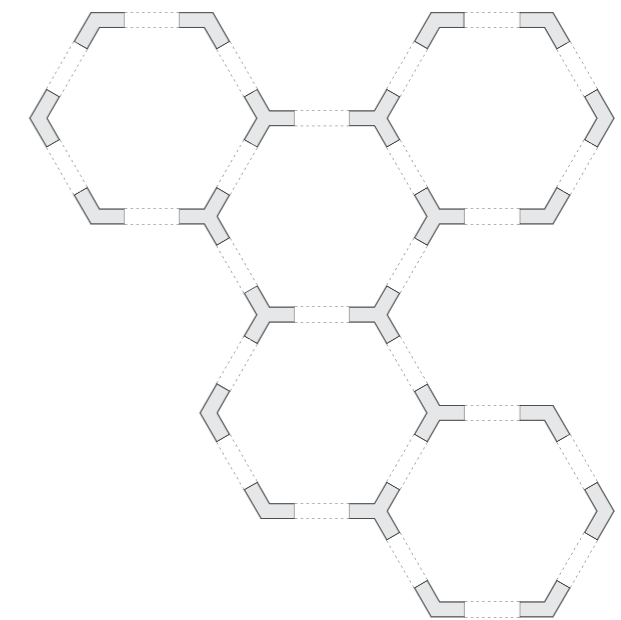
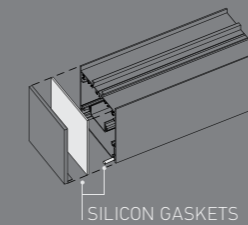
NOTUS 1 PL LINEAR LED



CONTINUOUS LINE

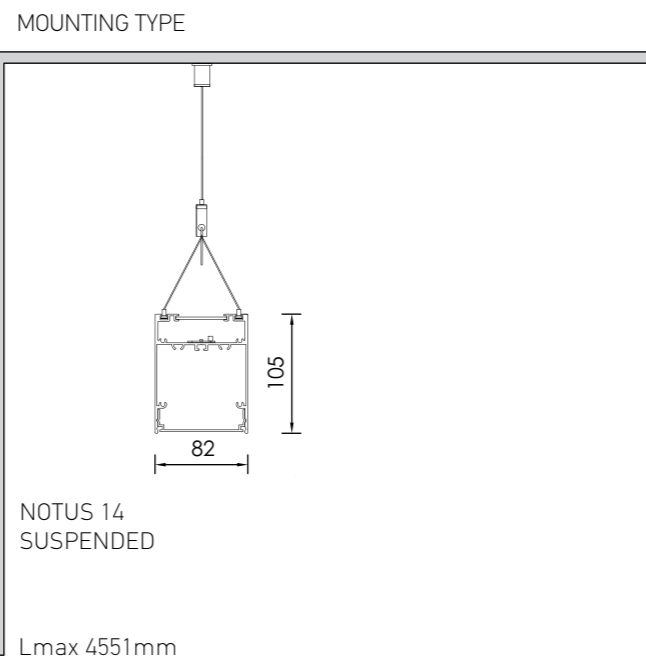
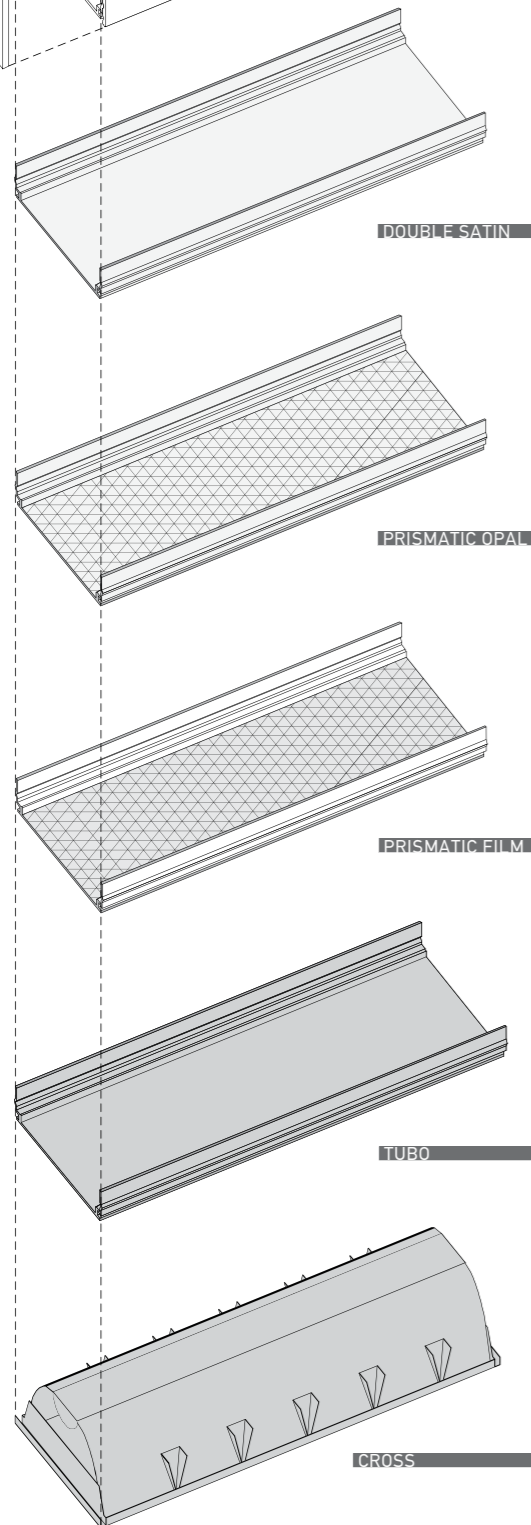
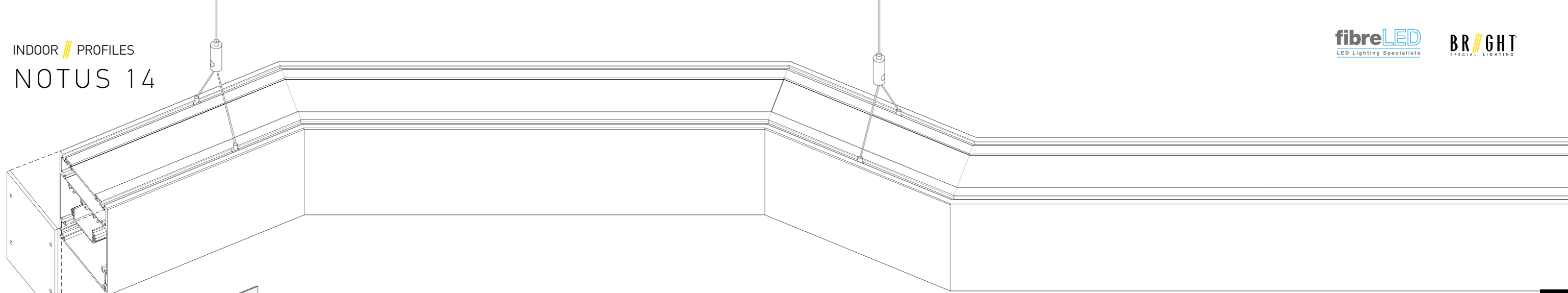


OPTION IP54



Example of possible forms





NOTUS 14 LINEAR LED



TECHNICAL DETAILS

Housing: Extruded aluminium
Diffuser: Extruded PMMA | Cross
Control Gear: Built-in electronic driver
IP: 40 **IK:** 04

COLORS



OPTIONAL ACCESSORIES



LIGHTING SOURCES

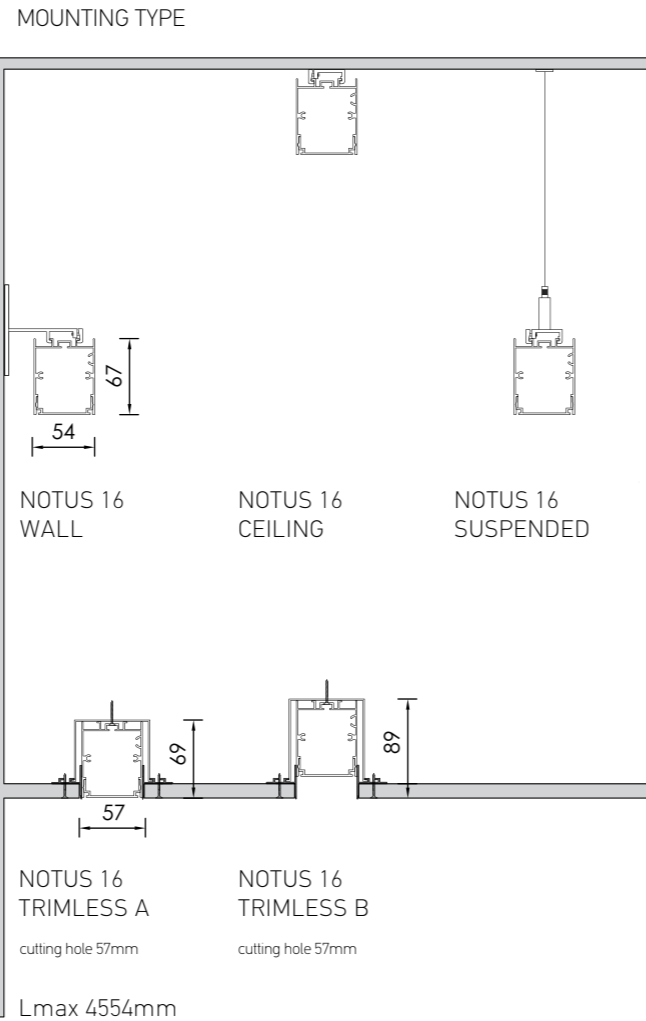
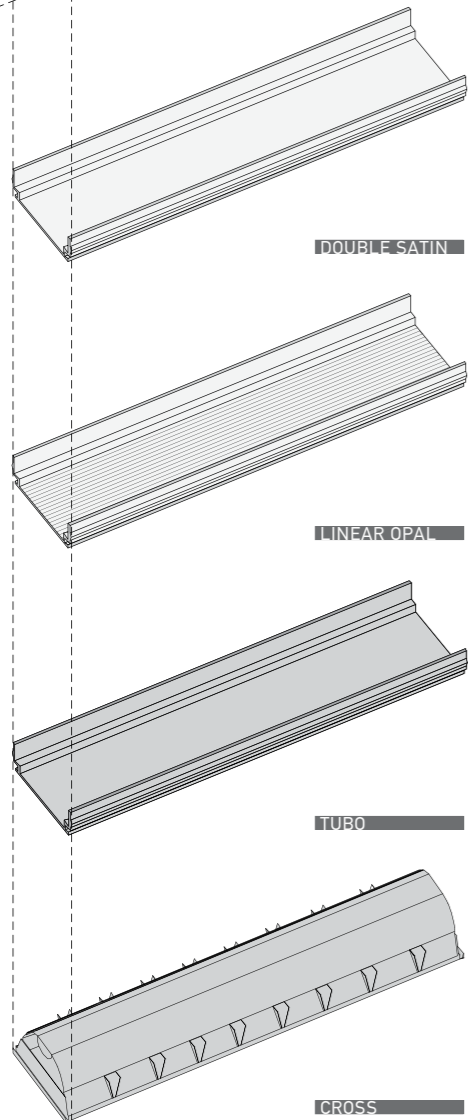
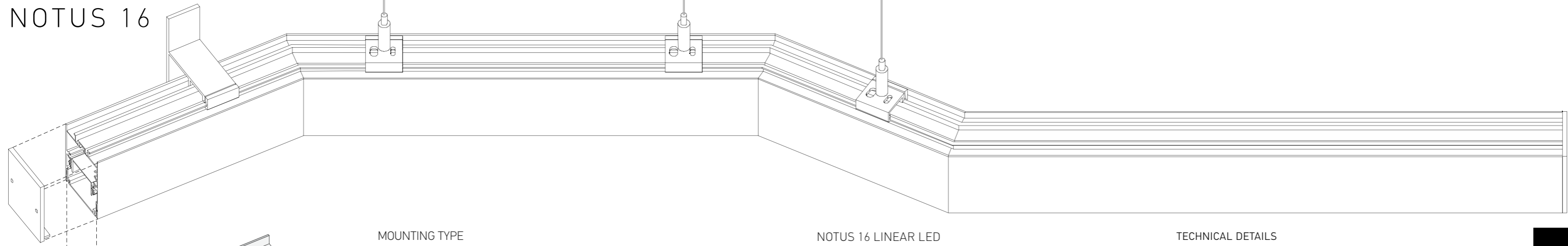
2xLinear LED G4 High Lumen Output | CRI80 | 3000K / 4000K

596mm	32W	CR180	5120Lm	160Lm/W	5340Lm	167Lm/W
881mm	48W	CR180	7680Lm	160Lm/W	8020Lm	167Lm/W
1161mm	64W	CR180	10240Lm	160Lm/W	10680Lm	167Lm/W
1446mm	80W	CR180	12800Lm	160Lm/W	13360Lm	167Lm/W
1726mm	96W	CR180	15360Lm	160Lm/W	16020Lm	167Lm/W
2011mm	112W	CR180	17920Lm	160Lm/W	18700Lm	167Lm/W
2291mm	128W	CR180	20480Lm	160Lm/W	21360Lm	167Lm/W
2576mm	144W	CR180	23040Lm	160Lm/W	24040Lm	167Lm/W
2856mm	160W	CR180	25600Lm	160Lm/W	26700Lm	167Lm/W
3141mm	176W	CR180	28160Lm	160Lm/W	29380Lm	167Lm/W
3421mm	192W	CR180	30720Lm	160Lm/W	32040Lm	167Lm/W
3706mm	208W	CR180	33280Lm	160Lm/W	34720Lm	167Lm/W
3986mm	224W	CR180	35840Lm	160Lm/W	38692Lm	167Lm/W
4271mm	240W	CR180	38400Lm	160Lm/W	40060Lm	167Lm/W
4551mm	256W	CR180	40960Lm	160Lm/W	42720Lm	167Lm/W

3step MacAdam | Ripple < 3% | Lifetime>50000
LM80 test report | Transmittance: 70%
Special diffusers UGR ≤ 19



LED replacement with tools



NOTUS 16 LINEAR LED



NOTUS 16 TRIMLESS A



NOTUS 16 TRIMLESS B



TECHNICAL DETAILS

Housing: Extruded aluminium
Diffuser: Extruded PMMA | Cross
Control Gear: Built-in electronic driver
IP: 40 **IK:** 04

COLORS



OPTIONAL ACCESSORIES



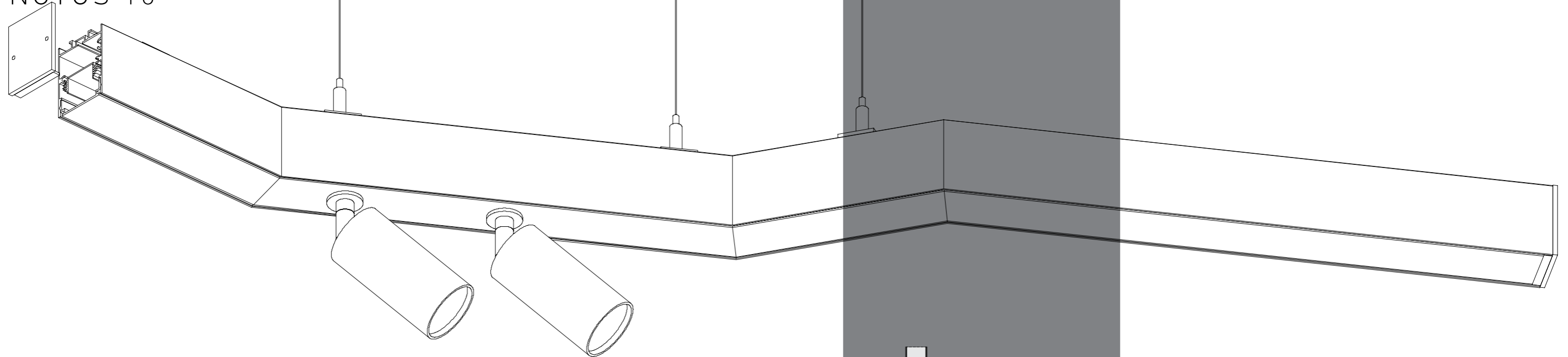
LIGHTING SOURCES

1xLinear LED G4 High Lumen Output | CRI80 | 3000K / 4000K

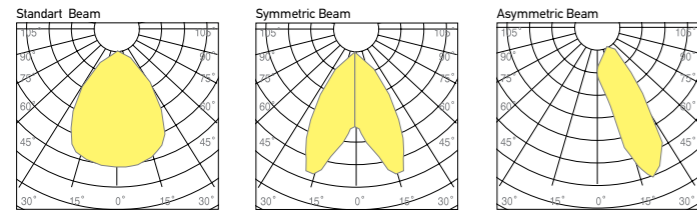
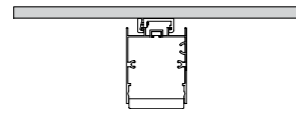
599mm	16W	- CRI80	2560Lm	- 160Lm/W	2670Lm	- 167Lm/W
884mm	24W	- CRI80	3840Lm	- 160Lm/W	4010Lm	- 167Lm/W
1166mm	32W	- CRI80	5120Lm	- 160Lm/W	5340Lm	- 167Lm/W
1449mm	40W	- CRI80	6400Lm	- 160Lm/W	6680Lm	- 167Lm/W
1729mm	48W	- CRI80	7680Lm	- 160Lm/W	8010Lm	- 167Lm/W
2014mm	56W	- CRI80	8960Lm	- 160Lm/W	9350Lm	- 167Lm/W
2294mm	64W	- CRI80	10240Lm	- 160Lm/W	10680Lm	- 167Lm/W
2579mm	72W	- CRI80	11520Lm	- 160Lm/W	12020Lm	- 167Lm/W
2859mm	80W	- CRI80	12800Lm	- 160Lm/W	13350Lm	- 167Lm/W
3144mm	88W	- CRI80	14080Lm	- 160Lm/W	14690Lm	- 167Lm/W
3424mm	96W	- CRI80	15360Lm	- 160Lm/W	16020Lm	- 167Lm/W
3709mm	104W	- CRI80	16640Lm	- 160Lm/W	17360Lm	- 167Lm/W
3989mm	112W	- CRI80	17920Lm	- 160Lm/W	18690Lm	- 167Lm/W
4274mm	120W	- CRI80	19200Lm	- 160Lm/W	20030Lm	- 167Lm/W
4554mm	128W	- CRI80	20480Lm	- 160Lm/W	21360Lm	- 167Lm/W

3step MacAdam | Ripple < 3% | Lifetime>50000h
LM80 test report | Transmittance: 70%
Special diffusers UGR ≤ 19

NOTUS 16



NOTUS 16 LENS LINEAR LED



Connectors are not available for NOTUS 16 LENS LINEAR LED



LED replacement with tools

LIGHTING SOURCES

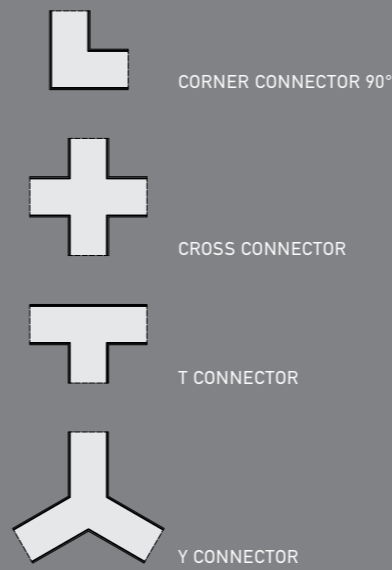
1x Lens Linear LED | 350mA | CRI85 | 3000K / 4000K

300mm	- 4.90W	- CRI85	- 755Lm	- 153Lm/W	/	795Lm	- 161Lm/W
580mm	- 9.80W	- CRI85	- 1505Lm	- 153Lm/W	/	1585Lm	- 161Lm/W
860mm	- 14.70W	- CRI85	- 2260Lm	- 153Lm/W	/	2380Lm	- 161Lm/W
1140mm	- 19.60W	- CRI85	- 3010Lm	- 153Lm/W	/	3170Lm	- 161Lm/W
1420mm	- 24.50W	- CRI85	- 3765Lm	- 153Lm/W	/	3965Lm	- 161Lm/W
1700mm	- 29.40W	- CRI85	- 4515Lm	- 153Lm/W	/	4755Lm	- 161Lm/W
1980mm	- 34.30W	- CRI85	- 5270Lm	- 153Lm/W	/	5550Lm	- 161Lm/W
2260mm	- 39.20W	- CRI85	- 6020Lm	- 153Lm/W	/	6370Lm	- 161Lm/W
2540mm	- 44.10W	- CRI85	- 6775Lm	- 153Lm/W	/	7135Lm	- 161Lm/W
2820mm	- 49.00W	- CRI85	- 7525Lm	- 153Lm/W	/	7925Lm	- 161Lm/W
3100mm	- 53.90W	- CRI85	- 8280Lm	- 153Lm/W	/	8720Lm	- 161Lm/W
3380mm	- 58.80W	- CRI85	- 9030Lm	- 153Lm/W	/	9510Lm	- 161Lm/W
3660mm	- 63.70W	- CRI85	- 9785Lm	- 153Lm/W	/	10305Lm	- 161Lm/W
3940mm	- 68.60W	- CRI85	- 10535Lm	- 153Lm/W	/	11095Lm	- 161Lm/W
4220mm	- 73.50W	- CRI85	- 11290Lm	- 153Lm/W	/	11890Lm	- 161Lm/W
4500mm	- 78.40W	- CRI85	- 12040Lm	- 153Lm/W	/	12680Lm	- 161Lm/W

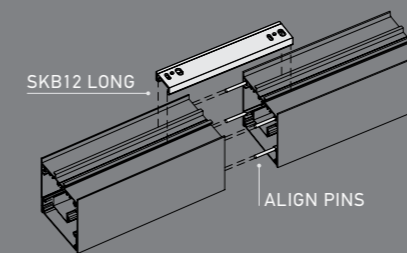
1x Lens Linear LED | 500mA | CRI85 | 3000K / 4000K

300mm	- 7.25W	- CRI85	- 1010Lm	- 139Lm/W	/	1065Lm	- 146Lm/W
580mm	- 14.50W	- CRI85	- 2020Lm	- 139Lm/W	/	2125Lm	- 146Lm/W
860mm	- 21.80W	- CRI85	- 3030Lm	- 139Lm/W	/	3190Lm	- 146Lm/W
1140mm	- 29.00W	- CRI85	- 4040Lm	- 139Lm/W	/	4250Lm	- 146Lm/W
1420mm	- 36.30W	- CRI85	- 5050Lm	- 139Lm/W	/	5315Lm	- 146Lm/W
1700mm	- 43.50W	- CRI85	- 6060Lm	- 139Lm/W	/	6375Lm	- 146Lm/W
1980mm	- 50.80W	- CRI85	- 7070Lm	- 139Lm/W	/	7440Lm	- 146Lm/W
2260mm	- 58.00W	- CRI85	- 8080Lm	- 139Lm/W	/	8500Lm	- 146Lm/W
2540mm	- 65.30W	- CRI85	- 9090Lm	- 139Lm/W	/	9565Lm	- 146Lm/W
2820mm	- 72.50W	- CRI85	- 10100Lm	- 139Lm/W	/	10625Lm	- 146Lm/W
3100mm	- 79.80W	- CRI85	- 11110Lm	- 139Lm/W	/	11690Lm	- 146Lm/W
3380mm	- 87.00W	- CRI85	- 12120Lm	- 139Lm/W	/	12750Lm	- 146Lm/W
3660mm	- 94.30W	- CRI85	- 13130Lm	- 139Lm/W	/	13815Lm	- 146Lm/W
3940mm	- 101.50W	- CRI85	- 14140Lm	- 139Lm/W	/	14875Lm	- 146Lm/W
4220mm	- 108.80W	- CRI85	- 15150Lm	- 139Lm/W	/	15940Lm	- 146Lm/W
4500mm	- 116.00W	- CRI85	- 16160Lm	- 139Lm/W	/	17000Lm	- 146Lm/W

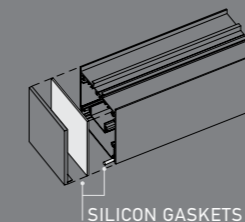
2step MacAdam | Ripple < 3% | Lifetime>50000h
LM80 test report



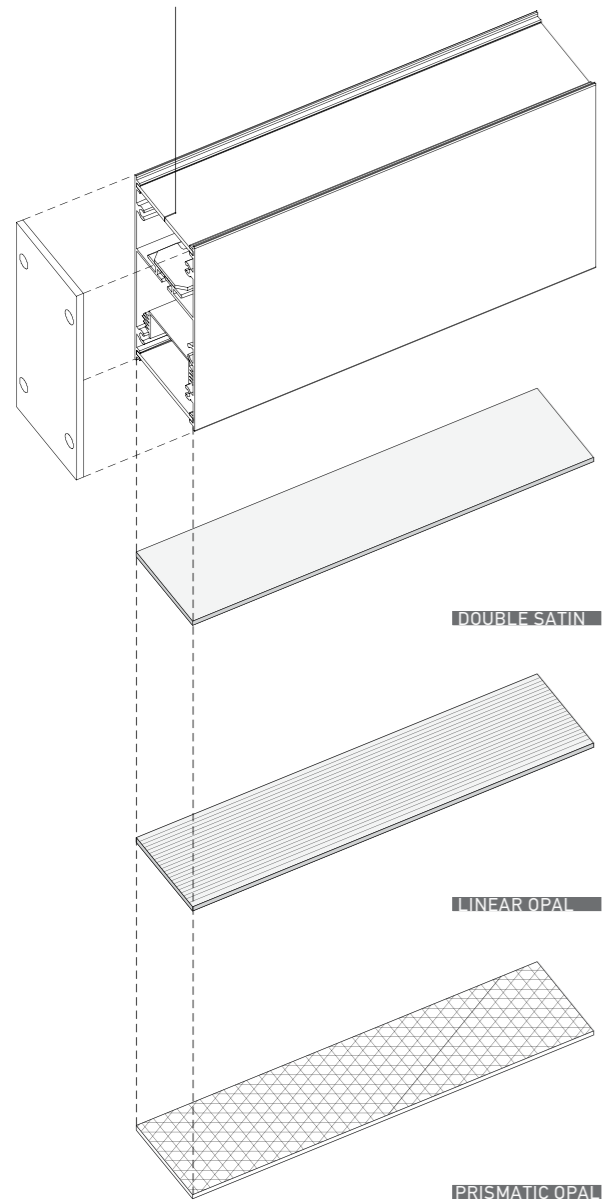
CONTINUOUS LINE



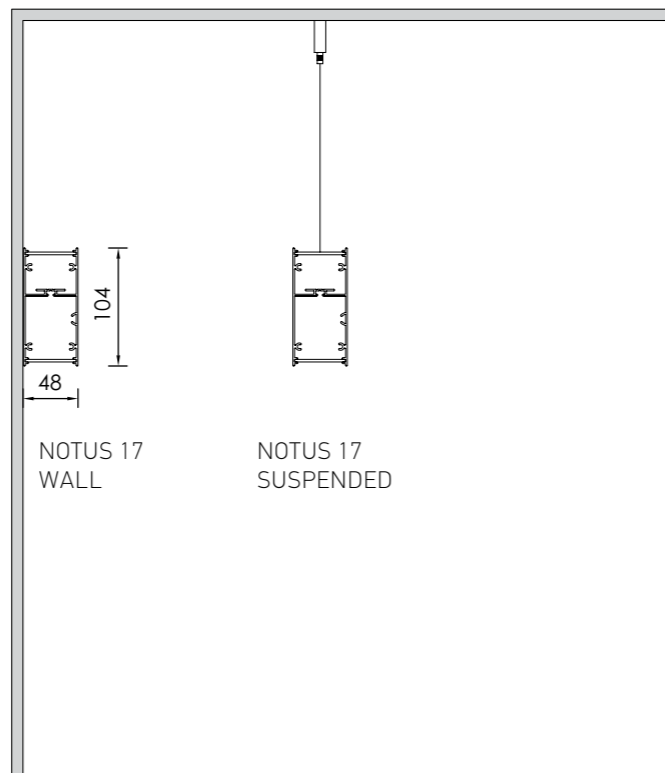
OPTION IP54



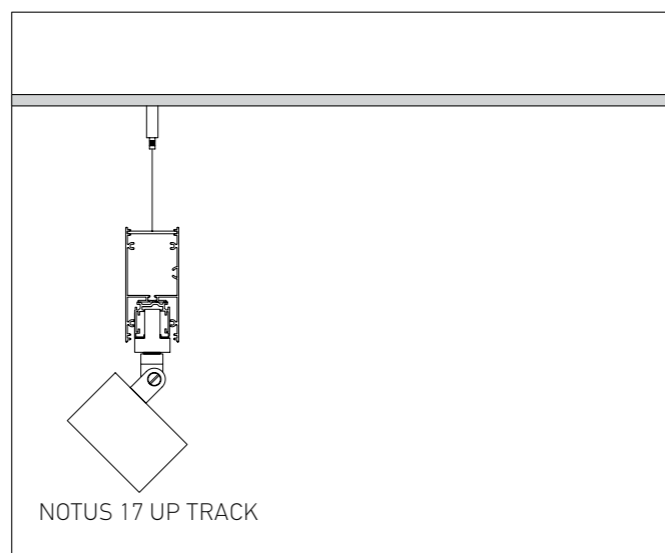
NOTUS 17



MOUNTING TYPE



SPECIAL CONSTRUCTIONS



NOTUS 17 UP DOWN LINEAR LED



NOTUS 17 WALL LINEAR LED



NOTUS 17 UP TRACK



TECHNICAL DETAILS

Housing: Extruded aluminium

Diffuser: Extruded PMMA

Control Gear: Built-in electronic driver

IP: 40 **IK:** 04

COLORS



OPTIONAL ACCESSORIES



LIGHTING SOURCES

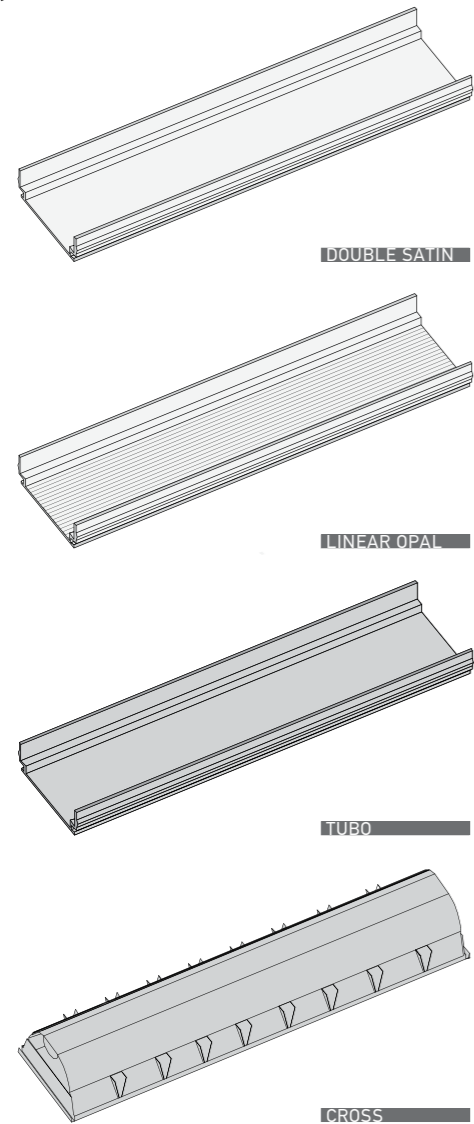
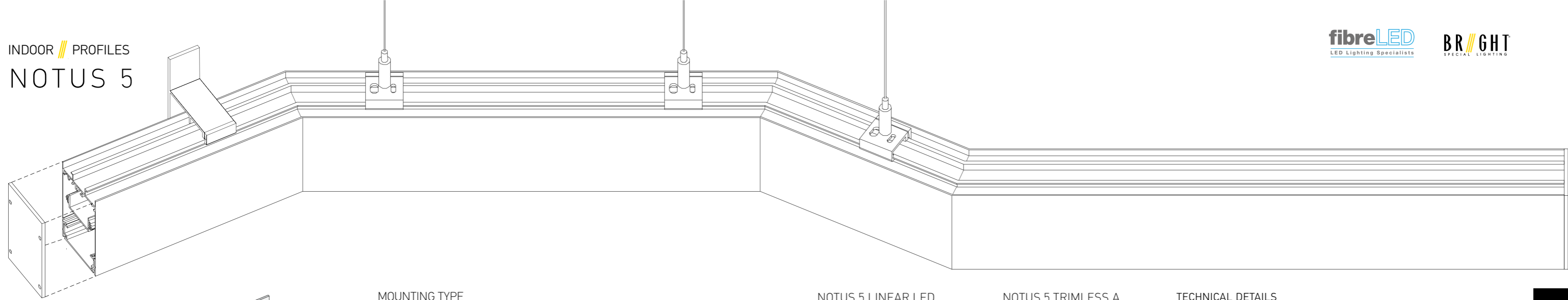
2xLinear LED G4 High Lumen Output | CRI80 | 3000K / 4000K

596mm	32W	CRI80	5120Lm	160Lm/W	5340Lm	167Lm/W
881mm	48W	CRI80	7680Lm	160Lm/W	8020Lm	167Lm/W
1161mm	64W	CRI80	10240Lm	160Lm/W	10680Lm	167Lm/W
1446mm	80W	CRI80	12800Lm	160Lm/W	13360Lm	167Lm/W
1726mm	96W	CRI80	15360Lm	160Lm/W	16020Lm	167Lm/W
2011mm	112W	CRI80	17920Lm	160Lm/W	18700Lm	167Lm/W
2291mm	128W	CRI80	20480Lm	160Lm/W	21360Lm	167Lm/W
2576mm	144W	CRI80	23040Lm	160Lm/W	24040Lm	167Lm/W
2856mm	160W	CRI80	25600Lm	160Lm/W	26700Lm	167Lm/W
3141mm	176W	CRI80	28160Lm	160Lm/W	29380Lm	167Lm/W
3421mm	192W	CRI80	30720Lm	160Lm/W	32040Lm	167Lm/W
3706mm	208W	CRI80	33280Lm	160Lm/W	34720Lm	167Lm/W
3986mm	224W	CRI80	35840Lm	160Lm/W	38692Lm	167Lm/W
4271mm	240W	CRI80	38400Lm	160Lm/W	40060Lm	167Lm/W
4551mm	256W	CRI80	40960Lm	160Lm/W	42720Lm	167Lm/W

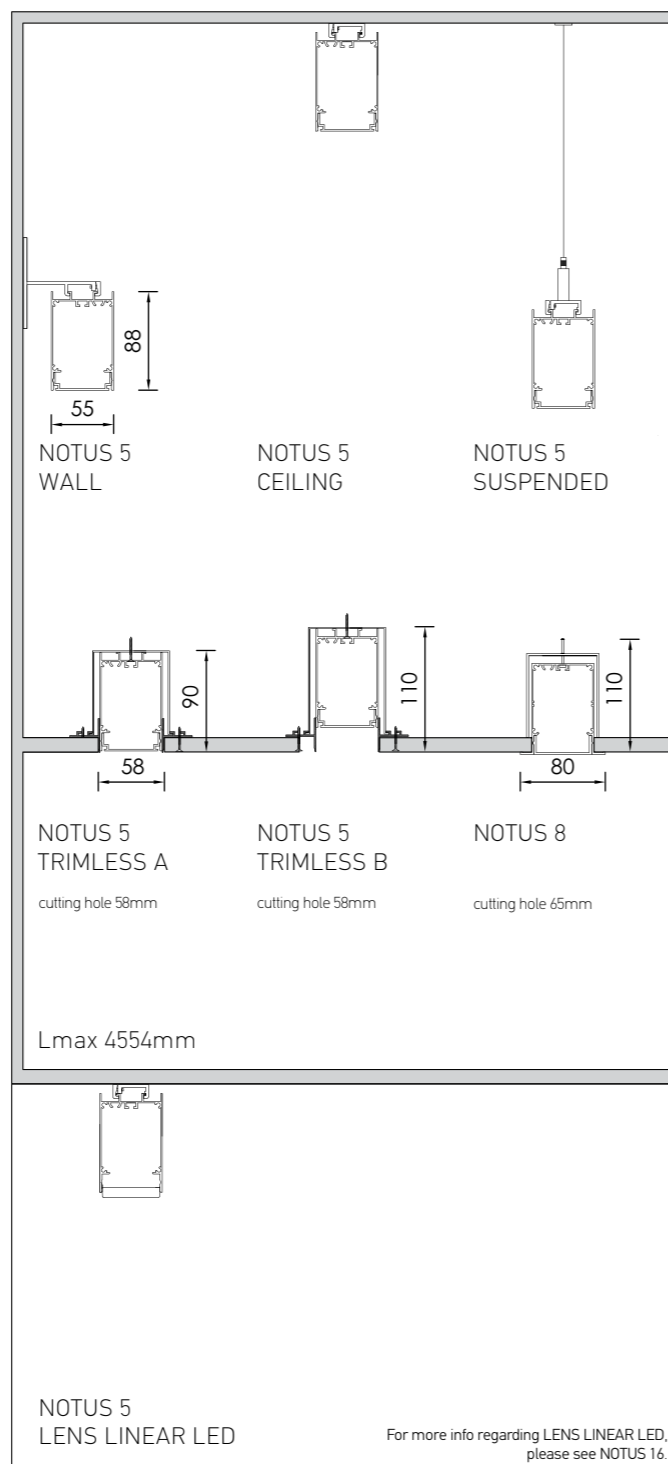
3step MacAdam | Ripple < 3% | Lifetime>50000

LM80 test report | Transmittance: 70%

Special diffusers UGR ≤ 19



MOUNTING TYPE



NOTUS 5 LINEAR LED



NOTUS 5 CROSS LINEAR LED



NOTUS 5 LENS LINEAR LED



NOTUS 5 SYSTEM TRACK



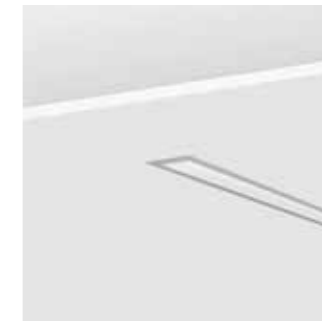
NOTUS 5 TRIMLESS A



NOTUS 5 TRIMLESS B



NOTUS 8 LINEAR LED



NOTUS 5 SQUARE



TECHNICAL DETAILS

Housing: Extruded aluminium
Diffuser: Extruded PMMA | Cross
Control Gear: Built-in electronic driver
IP: 40 **IK:** 04

COLORS



OPTIONAL ACCESSORIES



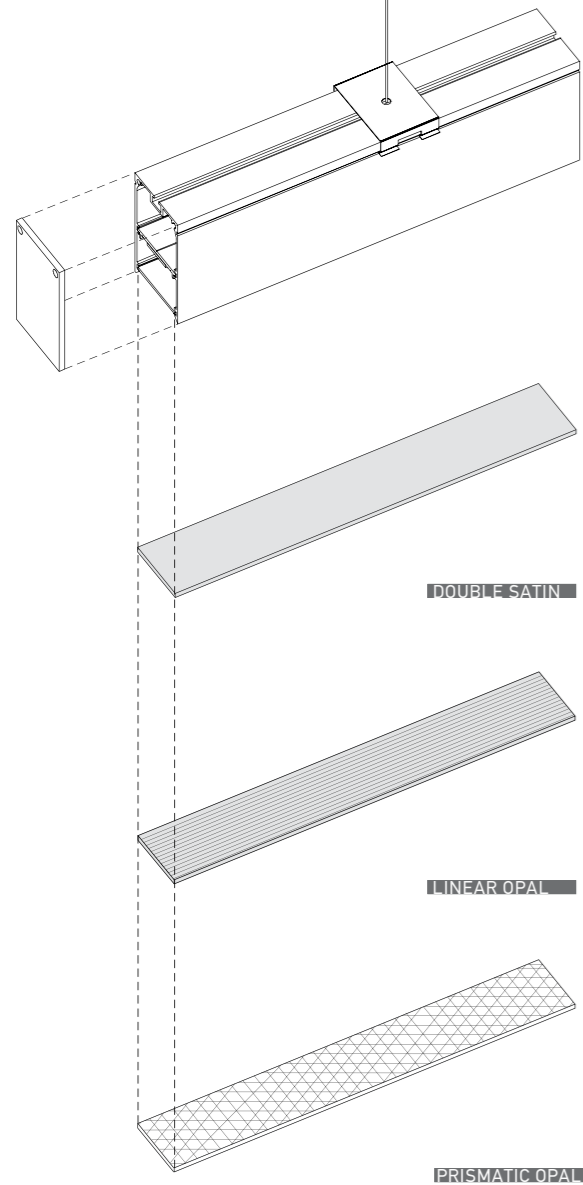
LIGHTING SOURCES

1xLinear LED G4 High Lumen Output | CRI80 | 3000K / 4000K

599mm - 16W - CRI80 - 2560Lm - 160Lm/W / 2670Lm - 167Lm/W
884mm - 24W - CRI80 - 3840Lm - 160Lm/W / 4010Lm - 167Lm/W
1166mm - 32W - CRI80 - 5120Lm - 160Lm/W / 5340Lm - 167Lm/W
1449mm - 40W - CRI80 - 6400Lm - 160Lm/W / 6680Lm - 167Lm/W
1729mm - 48W - CRI80 - 7680Lm - 160Lm/W / 8010Lm - 167Lm/W
2014mm - 56W - CRI80 - 8960Lm - 160Lm/W / 9350Lm - 167Lm/W
2294mm - 64W - CRI80 - 10240Lm - 160Lm/W / 10680Lm - 167Lm/W
2579mm - 72W - CRI80 - 11520Lm - 160Lm/W / 12020Lm - 167Lm/W
2859mm - 80W - CRI80 - 12800Lm - 160Lm/W / 13350Lm - 167Lm/W
3144mm - 88W - CRI80 - 14080Lm - 160Lm/W / 14690Lm - 167Lm/W
3424mm - 96W - CRI80 - 15360Lm - 160Lm/W / 16020Lm - 167Lm/W
3709mm - 104W - CRI80 - 16640Lm - 160Lm/W / 17360Lm - 167Lm/W
3989mm - 112W - CRI80 - 17920Lm - 160Lm/W / 18690Lm - 167Lm/W
4274mm - 120W - CRI80 - 19200Lm - 160Lm/W / 20030Lm - 167Lm/W
4554mm - 128W - CRI80 - 20480Lm - 160Lm/W / 21360Lm - 167Lm/W

3step MacAdam | Ripple < 3% | Lifetime>50000h
LM80 test report | Transmittance: 70%
Special diffusers UGR ≤ 19

LED replacement with tools



NOTUS 19 LINEAR LED



NOTUS 19 H.P. LED



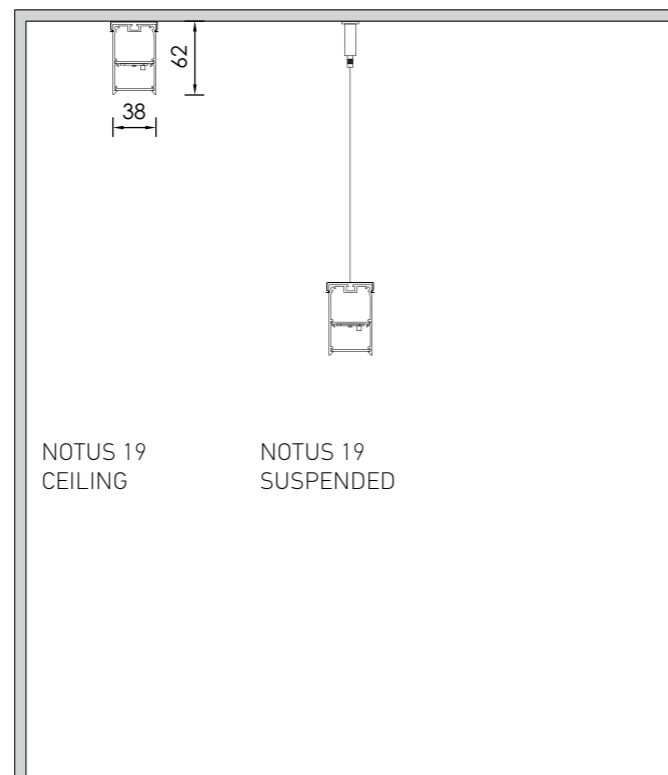
NOTUS 19 SPOT LINEAR LED



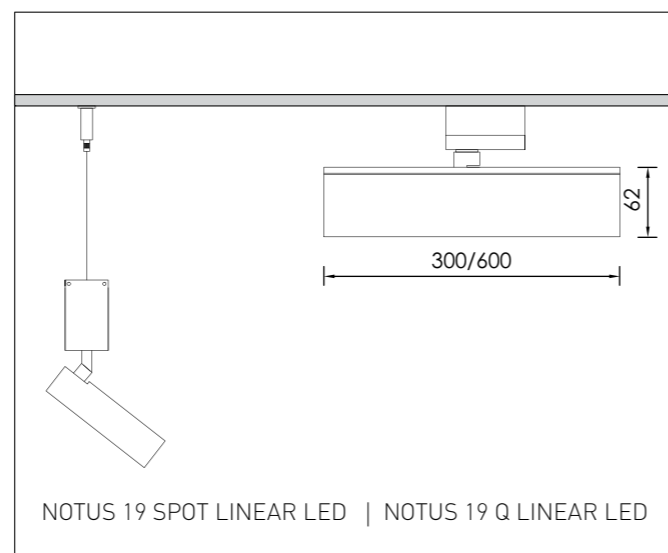
NOTUS 19 Q



MOUNTING TYPE



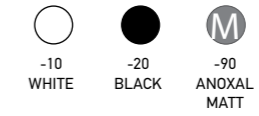
SPECIAL CONSTRUCTIONS



TECHNICAL DETAILS

Housing: Extruded aluminium
Diffuser: Extruded PMMA
Control Gear: Built-in electronic driver
IP: 40 **IK:** 04

COLORS



OPTIONAL ACCESSORIES



LIGHTING SOURCES

1x Linear LED G4 High Lumen Output | CRI80 | 3000K / 4000K

580mm	16W	CRI80	2560Lm	160Lm/W	2670Lm	167Lm/W
860mm	24W	CRI80	3840Lm	160Lm/W	4010Lm	167Lm/W
1140mm	32W	CRI80	5120Lm	160Lm/W	5340Lm	167Lm/W
1420mm	40W	CRI80	6400Lm	160Lm/W	6680Lm	167Lm/W
1700mm	48W	CRI80	7680Lm	160Lm/W	8010Lm	167Lm/W
1980mm	56W	CRI80	8960Lm	160Lm/W	9350Lm	167Lm/W
2260mm	64W	CRI80	10240Lm	160Lm/W	10680Lm	167Lm/W
2540mm	72W	CRI80	11520Lm	160Lm/W	12020Lm	167Lm/W
2820mm	80W	CRI80	12800Lm	160Lm/W	13350Lm	167Lm/W
3100mm	88W	CRI80	14080Lm	160Lm/W	14690Lm	167Lm/W
3380mm	96W	CRI80	15360Lm	160Lm/W	16020Lm	167Lm/W
3660mm	104W	CRI80	16640Lm	160Lm/W	17360Lm	167Lm/W
3940mm	112W	CRI80	17920Lm	160Lm/W	18690Lm	167Lm/W
4220mm	120W	CRI80	19200Lm	160Lm/W	20030Lm	167Lm/W
4500mm	128W	CRI80	20480Lm	160Lm/W	21360Lm	167Lm/W

3step MacAdam | Ripple < 3% | Lifetime>50000h
LM80 test report | Transmittance: 70%

NOTUS 19 H.P. LED:

H.P. LED Module | CRI80 | 2700K / 3000K / 4000K

For more information regarding H.P. LED Modules: NOVUS

NOTUS 19 Q:

1x Linear LED | CRI80 | 3000 / 4000K

300mm	5.90W	870Lm	147Lm/W	910Lm	154Lm/W
	6.10W	884Lm	145Lm/W	931Lm	153Lm/W
	8.00W	1280Lm	160Lm/W	1340Lm	167Lm/W
	8.20W	1250Lm	152Lm/W	1310Lm	160Lm/W

590mm	11.80W	1730Lm	147Lm/W	1810Lm	153Lm/W
	12.10W	1748Lm	145Lm/W	1834Lm	152Lm/W
	16.00W	2560Lm	160Lm/W	2670Lm	167Lm/W
	16.40W	2480Lm	152Lm/W	2610Lm	160Lm/W

3step MacAdam | Ripple < 3% | Lifetime>50000h
LM80 test report | Transmittance: 70%
Special diffusers UGR ≤ 19

LED replacement with tools



NOTUS 2 LINEAR LED



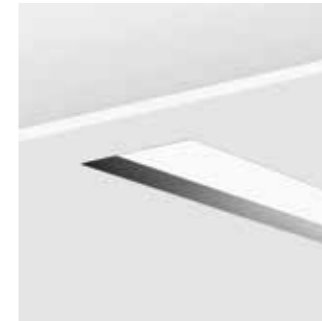
NOTUS 2 TRIMLESS A



NOTUS 2 CROSS LINEAR LED



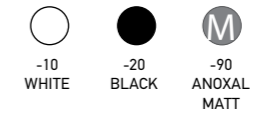
NOTUS 2 TRIMLESS B



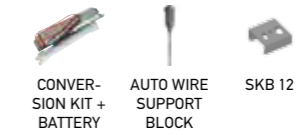
TECHNICAL DETAILS

Housing: Extruded aluminium
Diffuser: Extruded PMMA | Cross
Control Gear: Built-in electronic driver
IP: 40 **IK:** 04

COLORS



OPTIONAL ACCESSORIES



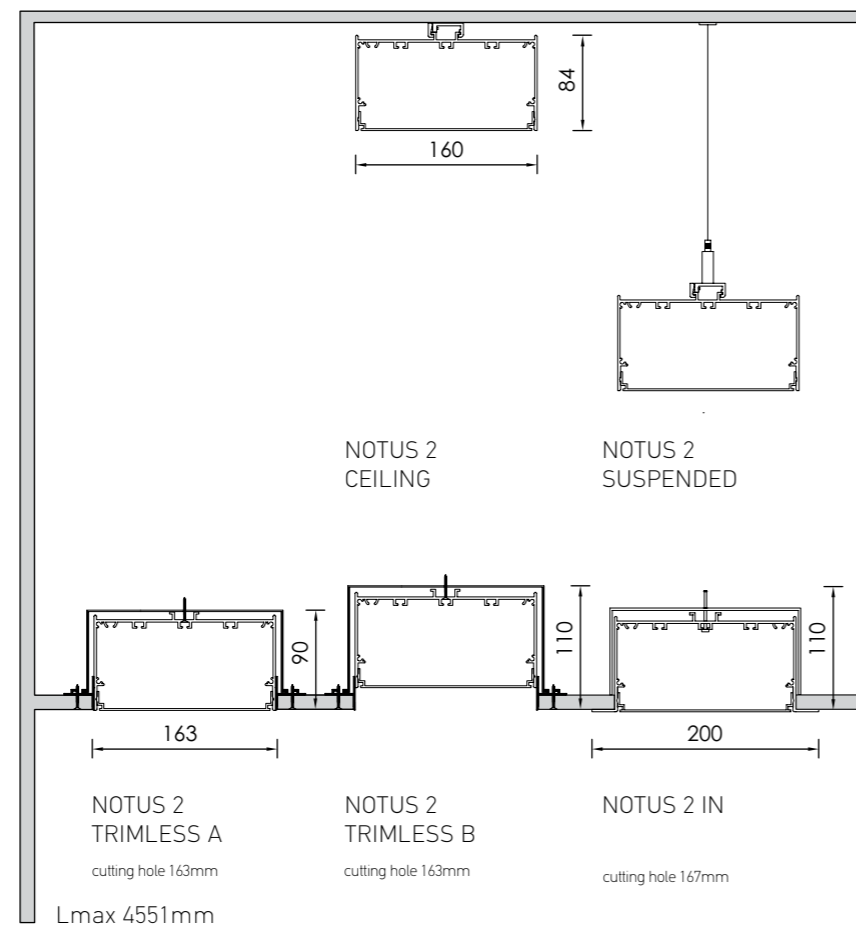
LIGHTING SOURCES

2xLinear LED G4 High Lumen Output | CR180 | 3000K / 4000K

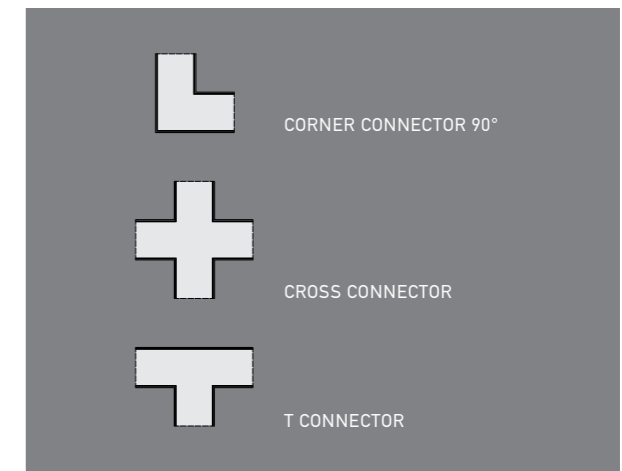
596mm	32W	CR180	5120Lm	160Lm/W	5340Lm	167Lm/W
881mm	48W	CR180	7680Lm	160Lm/W	8020Lm	167Lm/W
1161mm	64W	CR180	10240Lm	160Lm/W	10680Lm	167Lm/W
1446mm	80W	CR180	12800Lm	160Lm/W	13360Lm	167Lm/W
1726mm	96W	CR180	15360Lm	160Lm/W	16020Lm	167Lm/W
2011mm	112W	CR180	17920Lm	160Lm/W	18700Lm	167Lm/W
2291mm	128W	CR180	20480Lm	160Lm/W	21360Lm	167Lm/W
2576mm	144W	CR180	23040Lm	160Lm/W	24040Lm	167Lm/W
2856mm	160W	CR180	25600Lm	160Lm/W	26700Lm	167Lm/W
3141mm	176W	CR180	28160Lm	160Lm/W	29380Lm	167Lm/W
3421mm	192W	CR180	30720Lm	160Lm/W	32040Lm	167Lm/W
3706mm	208W	CR180	33280Lm	160Lm/W	34720Lm	167Lm/W
3986mm	224W	CR180	35840Lm	160Lm/W	38692Lm	167Lm/W
4271mm	240W	CR180	38400Lm	160Lm/W	40060Lm	167Lm/W
4551mm	256W	CR180	40960Lm	160Lm/W	42720Lm	167Lm/W

3step MacAdam | Ripple < 3% | Lifetime>50000
LM80 test report | Transmittance: 70%

MOUNTING TYPE



NOTUS 2 IN LINEAR LED

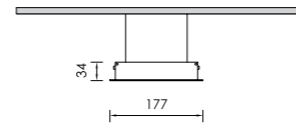
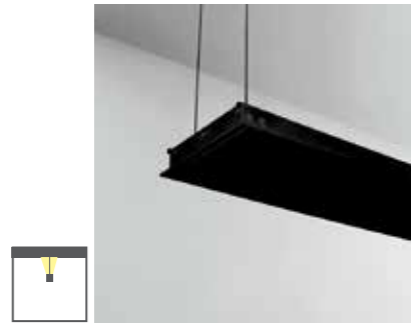


LED replacement with tools

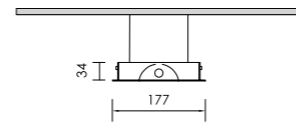
NOTUS 9

The NOTUS 9 aluminium profiles consist a series of lighting fixtures that provide spaces both indirect and direct lighting. Indirect lighting is created from the reflection of the light in a surface (reflector) to a specific direction. It is ideal for workplaces as it creates a uniform atmosphere, bright and pleasant. The combination of direct and indirect lighting takes advantage of both lighting methods ensuring a satisfactory level and quality of lighting.

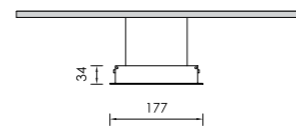
NOTUS 9 OUT WS



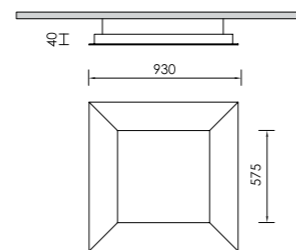
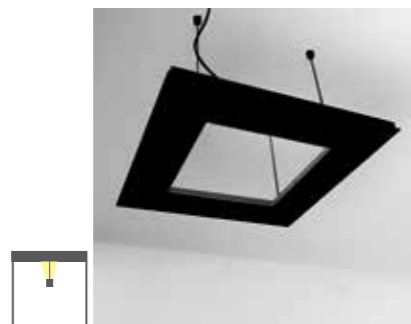
NOTUS 9 OUT CROSS



NOTUS 9 OUT SPOT



NOTUS 9 SQ WS



TECHNICAL DETAILS

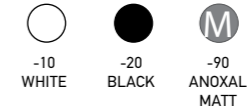
Housing: Extruded aluminium

Reflector: Cross

Control Gear: Built-in electronic driver

IP: 20 **IK:** 06

COLORS



OPTIONAL ACCESSORIES



LIGHTING SOURCES

NOTUS 9 OUT WS | NOTUS 9 OUT SPOT:

2xLinear LED G4 High Lumen Output | CRI80 | 3000K/4000K

596mm	32W	CR180	5120Lm	160Lm/W	5340Lm	167Lm/W
881mm	48W	CR180	7680Lm	160Lm/W	8020Lm	167Lm/W
1161mm	64W	CR180	10240Lm	160Lm/W	10680Lm	167Lm/W
1446mm	80W	CR180	12800Lm	160Lm/W	13360Lm	167Lm/W
1726mm	96W	CR180	15360Lm	160Lm/W	16020Lm	167Lm/W
2011mm	112W	CR180	17920Lm	160Lm/W	18700Lm	167Lm/W
2291mm	128W	CR180	20480Lm	160Lm/W	21360Lm	167Lm/W
2576mm	144W	CR180	23040Lm	160Lm/W	24040Lm	167Lm/W
2856mm	160W	CR180	25600Lm	160Lm/W	26700Lm	167Lm/W
3141mm	176W	CR180	28160Lm	160Lm/W	29380Lm	167Lm/W
3421mm	192W	CR180	30720Lm	160Lm/W	32040Lm	167Lm/W
3706mm	208W	CR180	33280Lm	160Lm/W	34720Lm	167Lm/W
3986mm	224W	CR180	35840Lm	160Lm/W	38692Lm	167Lm/W
4271mm	240W	CR180	38400Lm	160Lm/W	40060Lm	167Lm/W
4551mm	256W	CR180	40960Lm	160Lm/W	42720Lm	167Lm/W

3step MacAdam | Ripple < 3% | Lifetime>50000h

LM80 test report | Transmittance: 70%

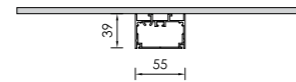
NOTUS 9 OUT CROSS:

T5 LED Lamp

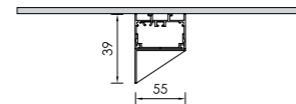
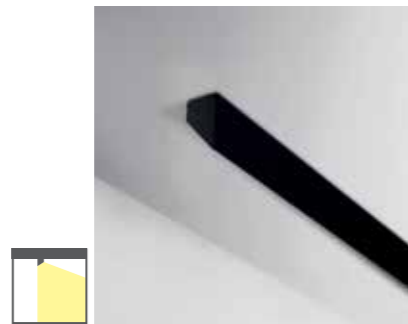


LED replacement with tools

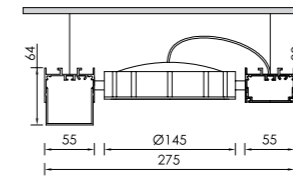
NOTUS 11 LINEAR LED



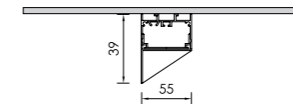
NOTUS 11 OUT ASYMMETRIC



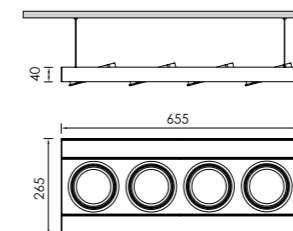
NOTUS 11 SYSTEM SPOT



NOTUS 11 ASYMMETRIC SPOT LED



II NOTUS 11 4F



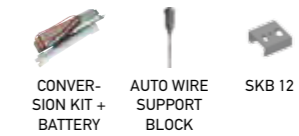
TECHNICAL DETAILS

Housing: Extruded aluminium
Diffuser: Extruded PMMA
Control Gear: Built-in electronic driver
IP: 40 IK: 04

COLORS



OPTIONAL ACCESSORIES



LIGHTING SOURCES

1xLinear LED G4 High Lumen Output | CR180 | 3000K / 4000K

596mm	16W	CR180	2560Lm	160Lm/W	2670Lm	167Lm/W
881mm	24W	CR180	3840Lm	160Lm/W	4010Lm	167Lm/W
1161mm	32W	CR180	5120Lm	160Lm/W	5340Lm	167Lm/W
1446mm	40W	CR180	6400Lm	160Lm/W	6680Lm	167Lm/W
1726mm	48W	CR180	7680Lm	160Lm/W	8010Lm	167Lm/W
2011mm	56W	CR180	8960Lm	160Lm/W	9350Lm	167Lm/W
2291mm	64W	CR180	10240Lm	160Lm/W	10680Lm	167Lm/W
2576mm	72W	CR180	11520Lm	160Lm/W	12020Lm	167Lm/W
2856mm	80W	CR180	12800Lm	160Lm/W	13350Lm	167Lm/W
3141mm	88W	CR180	14080Lm	160Lm/W	14690Lm	167Lm/W
3421mm	96W	CR180	15360Lm	160Lm/W	16020Lm	167Lm/W
3706mm	104W	CR180	16640Lm	160Lm/W	17360Lm	167Lm/W
3986mm	112W	CR180	17920Lm	160Lm/W	18690Lm	167Lm/W
4271mm	120W	CR180	19200Lm	160Lm/W	20030Lm	167Lm/W
4551mm	128W	CR180	20480Lm	160Lm/W	21360Lm	167Lm/W

3step MacAdam | Ripple < 3% | Lifetime>50000h
LM80 test report | Transmittance: 70%

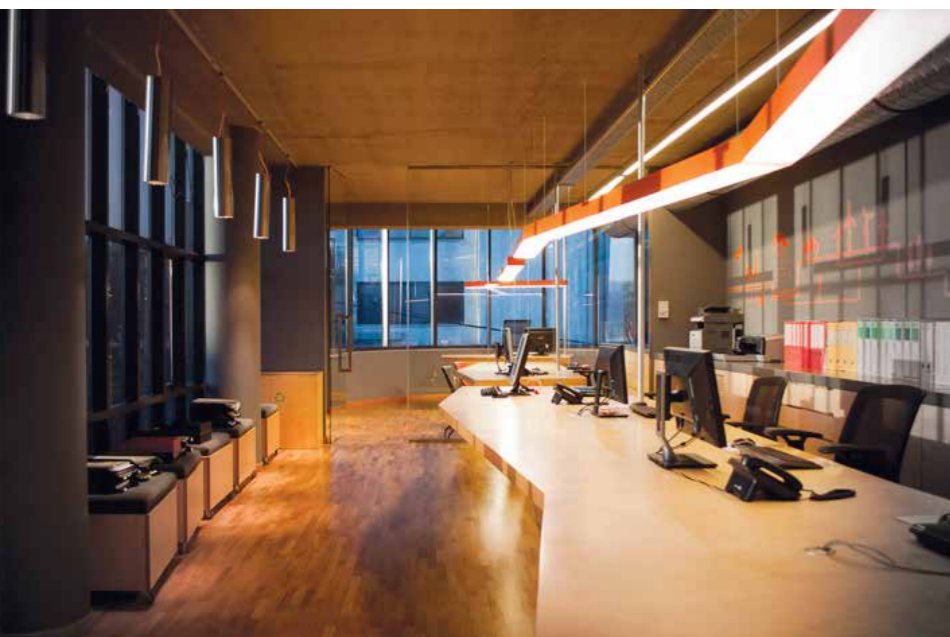
II NOTUS 11 4F:

PrevaLED COIN 111 AC 230V | 24°/40° | 3000K/4000K
15.5W - CR183 - 1250Lm 81Lm/W / 1350Lm 87Lm/W
22.5W - CR183 - 1850Lm 82Lm/W / 1950Lm 87Lm/W
3step MacAdam | Ripple < 3% | Lifetime>50.000h
LM80 test report

PrevaLED COIN 111 G2 | 24°/40° | 3000K/4000K
17.3W - CR192 - 1430Lm 82Lm/W / 1560Lm 90Lm/W
21.6W - CR183 - 2300Lm 106Lm/W / 2500Lm 115Lm/W
32.1W - CR183 - 3300Lm 102Lm/W / 3600Lm 112Lm/W
3step MacAdam | Ripple < 3% | Lifetime>50.000h
LM80 test report

R111/G53/12V LED Lamp

LED replacement with tools



NOTUS 12 LINEAR LED



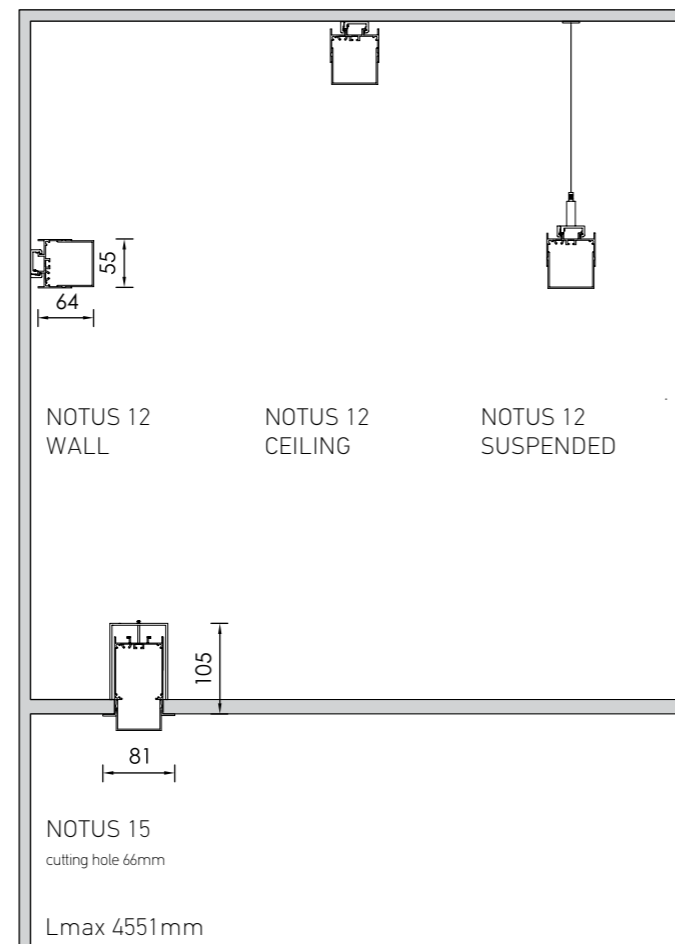
NOTUS 12 WALL LINEAR LED



NOTUS 15 LINEAR LED



MOUNTING TYPE



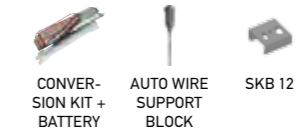
TECHNICAL DETAILS

Housing: Extruded aluminium
Diffuser: Extruded PMMA
Control Gear: Built-in electronic driver
IP: 40 **IK:** 04

COLORS



OPTIONAL ACCESSORIES



LIGHTING SOURCES

1xLinear LED G4 High Lumen Output | CRI80 | 3000K / 4000K

596mm	16W - CRI80	2560Lm - 160Lm/W	2670Lm - 167Lm/W
881mm	24W - CRI80	3840Lm - 160Lm/W	4010Lm - 167Lm/W
1161mm	32W - CRI80	5120Lm - 160Lm/W	5340Lm - 167Lm/W
1446mm	40W - CRI80	6400Lm - 160Lm/W	6680Lm - 167Lm/W
1726mm	48W - CRI80	7680Lm - 160Lm/W	8010Lm - 167Lm/W
2011mm	56W - CRI80	8960Lm - 160Lm/W	9350Lm - 167Lm/W
2291mm	64W - CRI80	10240Lm - 160Lm/W	10680Lm - 167Lm/W
2576mm	72W - CRI80	11520Lm - 160Lm/W	12020Lm - 167Lm/W
2856mm	80W - CRI80	12800Lm - 160Lm/W	13350Lm - 167Lm/W
3141mm	88W - CRI80	14080Lm - 160Lm/W	14690Lm - 167Lm/W
3421mm	96W - CRI80	15360Lm - 160Lm/W	16020Lm - 167Lm/W
3706mm	104W - CRI80	16640Lm - 160Lm/W	17360Lm - 167Lm/W
3986mm	112W - CRI80	17920Lm - 160Lm/W	18690Lm - 167Lm/W
4271mm	120W - CRI80	19200Lm - 160Lm/W	20030Lm - 167Lm/W
4551mm	128W - CRI80	20480Lm - 160Lm/W	21360Lm - 167Lm/W

3step MacAdam | Ripple < 3% | Lifetime>50000h
LM80 test report | Transmittance: 70%

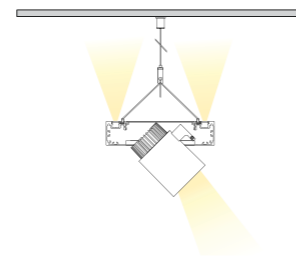
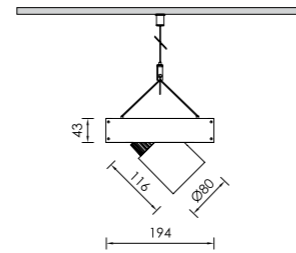
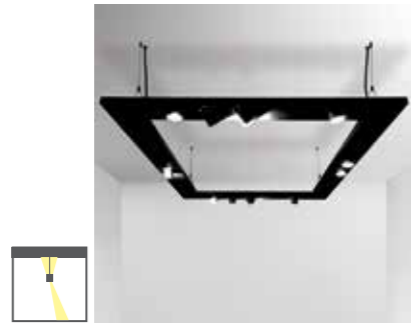


LED replacement with tools

NOTUS 18

NOTUS 18 aluminium profile luminaire is specially designed to provide indirect and direct lighting. It is ideal for retail shops as it creates ambient lighting so that people can easily and safely move throughout the space, as well as accent lighting focusing and highlighting the desirable areas or products.

NOTUS 18 LINEAR LED



TECHNICAL DETAILS

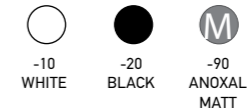
Housing: Extruded aluminium / Cast-pressed aluminium

Rotation: Vertical 30° / Horizontal 30°

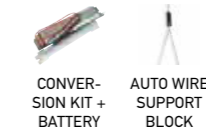
Control Gear: Built-in electronic driver

IP: 40 **IK:** 06

COLORS



OPTIONAL ACCESSORIES



LIGHTING SOURCES

Down Light:

S.S.LED | CRI80 | 3000K / 4000K

- 12W - 350mA - 1520Lm - 127Lm/W / 1540Lm 128Lm/W
- 14W - 400mA - 1770Lm - 126Lm/W / 1800Lm 129Lm/W
- 16W - 450mA - 2000Lm - 125Lm/W / 2050Lm 128Lm/W
- 17W - 500mA - 2260Lm - 133Lm/W / 2300Lm 135Lm/W
- 19W - 550mA - 2500Lm - 132Lm/W / 2550Lm 134Lm/W
- 21W - 600mA - 2755Lm - 131Lm/W / 2800Lm 133Lm/W
- 23W - 650mA - 3000Lm - 130Lm/W / 3050Lm 133Lm/W
- 25W - 700mA - 3250Lm - 130Lm/W / 3300Lm 132Lm/W
- 26W - 750mA - 3500Lm - 135Lm/W / 3550Lm 137Lm/W
- 28W - 800mA - 3730Lm - 133Lm/W / 3800Lm 136Lm/W

**3step MacAdam | Ripple < 3% | Lifetime>50000h
LM80 test report | Transmittance: 88%**

PrevaLED COIN 111 AC 230V | 24°/40° | 3000K/4000K

- 15.5W - CRI83 - 1250Lm 81Lm/W / 1350Lm 87Lm/W
- 22.5W - CRI83 - 1850Lm 82Lm/W / 1950Lm 87Lm/W

**3step MacAdam | Ripple < 3% | Lifetime>50.000h
LM80 test report**

PrevaLED COIN 111 G2 | 24°/40° | 3000K/4000K

- 17.3W - CRI92 - 1430Lm 82Lm/W / 1560Lm 90Lm/W
- 21.6W - CRI83 - 2300Lm 106Lm/W / 2500Lm 115Lm/W
- 32.1W - CRI83 - 3300Lm 102Lm/W / 3600Lm 112Lm/W

**3step MacAdam | Ripple < 3% | Lifetime>50.000h
LM80 test report**

R111/G53/12V LED Lamp

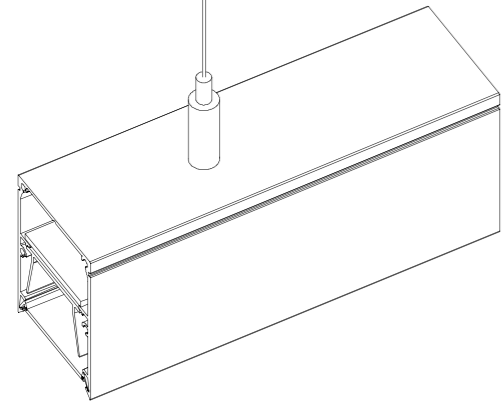
Up Light: LED Strip 24V | CRI>80 | 3000K / 4000K

- 120 LED/m - 9.6W/m - 720Lm/m / 840Lm/m
- 70 LED/m - 15W/m - 2000Lm/m / 2100Lm/m

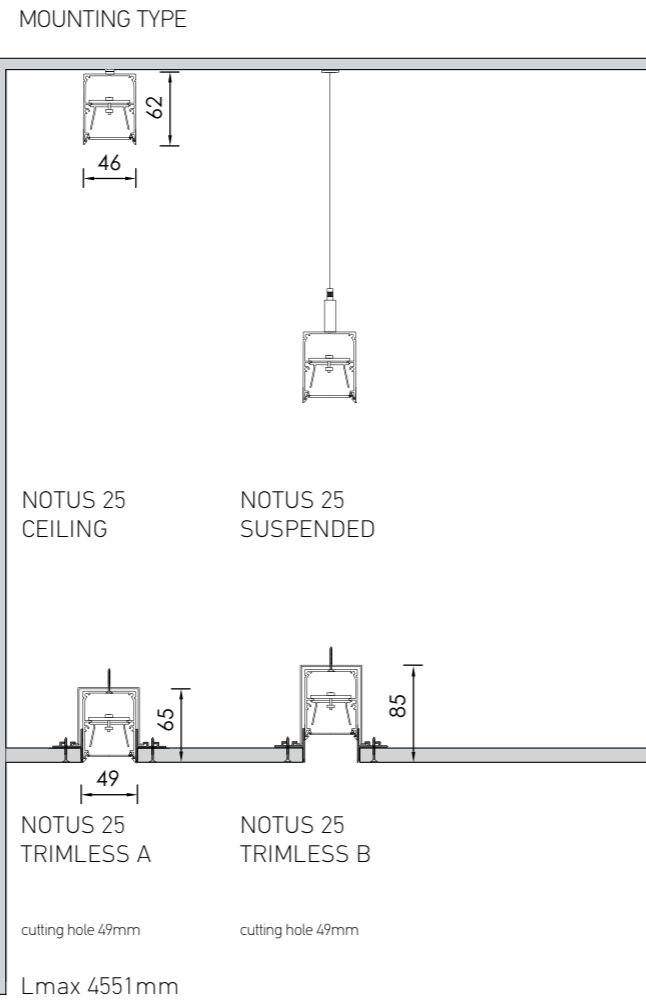
Lifetime: >30.000h | Cutting per 10cm or 6 LEDs

For more info regarding S.S.LED, please see the Spotlight category. LED replacement with tools

INDOOR // PROFILES
NOTUS 25



COVER IP54



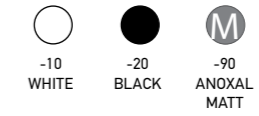
NOTUS 25 LINEAR LED



TECHNICAL DETAILS

Housing: Extruded aluminium
Diffuser: Extruded PMMA
Control Gear: Built-in electronic driver
IP: 54 **IK:** 04

COLORS



OPTIONAL ACCESSORIES



LIGHTING SOURCES

1xLinear LED G4 High Lumen Output | CRI80 | 3000K / 4000K

596mm	16W	CR180	2560Lm	160Lm/W	2670Lm	167Lm/W
881mm	24W	CR180	3840Lm	160Lm/W	4010Lm	167Lm/W
1161mm	32W	CR180	5120Lm	160Lm/W	5340Lm	167Lm/W
1446mm	40W	CR180	6400Lm	160Lm/W	6680Lm	167Lm/W
1726mm	48W	CR180	7680Lm	160Lm/W	8010Lm	167Lm/W
2011mm	56W	CR180	8960Lm	160Lm/W	9350Lm	167Lm/W
2291mm	64W	CR180	10240Lm	160Lm/W	10680Lm	167Lm/W
2576mm	72W	CR180	11520Lm	160Lm/W	12020Lm	167Lm/W
2856mm	80W	CR180	12800Lm	160Lm/W	13350Lm	167Lm/W
3141mm	88W	CR180	14080Lm	160Lm/W	14690Lm	167Lm/W
3421mm	96W	CR180	15360Lm	160Lm/W	16020Lm	167Lm/W
3706mm	104W	CR180	16640Lm	160Lm/W	17360Lm	167Lm/W
3986mm	112W	CR180	17920Lm	160Lm/W	18690Lm	167Lm/W
4271mm	120W	CR180	19200Lm	160Lm/W	20030Lm	167Lm/W
4551mm	128W	CR180	20480Lm	160Lm/W	21360Lm	167Lm/W

3step MacAdam | Ripple < 3% | Lifetime>50000h
LM80 test report | Transmittance: 70%

LED replacement with tools

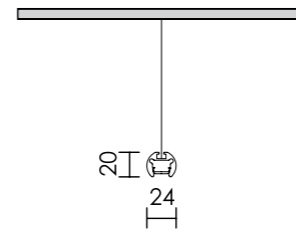
TRIMLESS SYSTEM

TRIMLESS SYSTEM TRACK

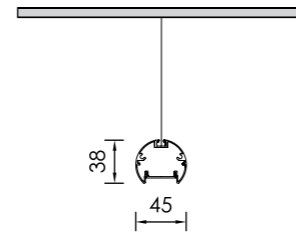
TRIMLESS SYSTEM SPOT



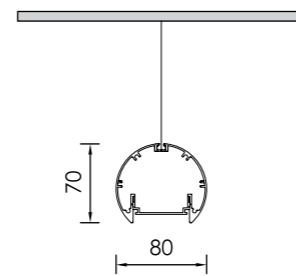
NOVITAS 1



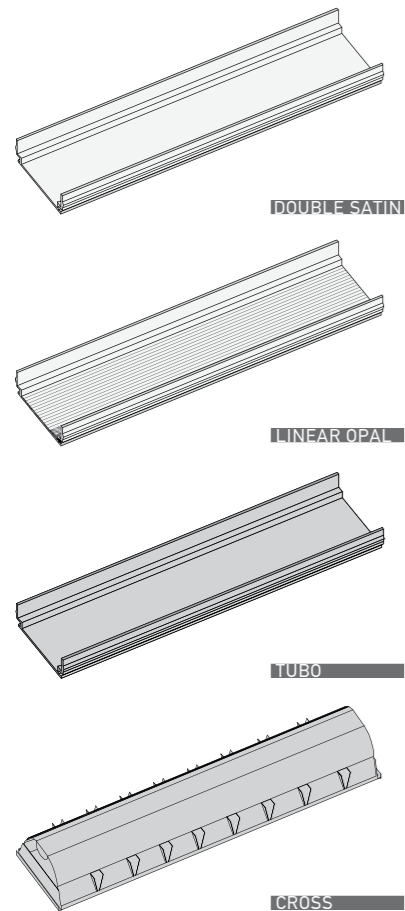
NOVITAS 2



NOVITAS 3



DIFFUSERS NOVITAS 3



TECHNICAL DETAILS

Housing: Extruded aluminium
Diffuser: Extruded PMMA
Control Gear: Remote electronic transformer
IP: 40 **IK:** 05

COLORS



OPTIONAL ACCESSORIES



AUTO WIRE
SUPPORT
BLOCK

LIGHTING SOURCES

NOVITAS 1,2:

LED Strip 24V | CRI>80 | 3000K / 4000K

120 LED/m - 9.6W/m - 720Lm/m / 840Lm/m
70 LED/m - 15W/m - 2000Lm/m / 2100Lm/m

Lifetime: >30.000h | Energy Class A+
Cutting per 10cm or 6 LEDs

NOVITAS 3:

1xLinear LED G4 High Lumen Output | CRI80 | 3000K / 4000K

596mm - 16W - CRI80 - 2560Lm - 160Lm/W / 2670Lm - 167Lm/W
881mm - 24W - CRI80 - 3840Lm - 160Lm/W / 4010Lm - 167Lm/W
1161mm - 32W - CRI80 - 5120Lm - 160Lm/W / 5340Lm - 167Lm/W
1446mm - 40W - CRI80 - 6400Lm - 160Lm/W / 6680Lm - 167Lm/W
1726mm - 48W - CRI80 - 7680Lm - 160Lm/W / 8010Lm - 167Lm/W
2011mm - 56W - CRI80 - 8960Lm - 160Lm/W / 9350Lm - 167Lm/W
2291mm - 64W - CRI80 - 10240Lm - 160Lm/W / 10680Lm - 167Lm/W
2576mm - 72W - CRI80 - 11520Lm - 160Lm/W / 12020Lm - 167Lm/W
2856mm - 80W - CRI80 - 12800Lm - 160Lm/W / 13350Lm - 167Lm/W
3141mm - 88W - CRI80 - 14080Lm - 160Lm/W / 14690Lm - 167Lm/W
3421mm - 96W - CRI80 - 15360Lm - 160Lm/W / 16020Lm - 167Lm/W
3706mm - 104W - CRI80 - 16640Lm - 160Lm/W / 17360Lm - 167Lm/W
3986mm - 112W - CRI80 - 17920Lm - 160Lm/W / 18690Lm - 167Lm/W
4271mm - 120W - CRI80 - 19200Lm - 160Lm/W / 20030Lm - 167Lm/W
4551mm - 128W - CRI80 - 20480Lm - 160Lm/W / 21360Lm - 167Lm/W

3step MacAdam | Ripple < 3% | Lifetime>50000h
LM80 test report | Transmittance: 70%
Special diffusers UGR ≤ 19



LED replacement with tools

FUGA 2 RING SP



FUGA 2 RING



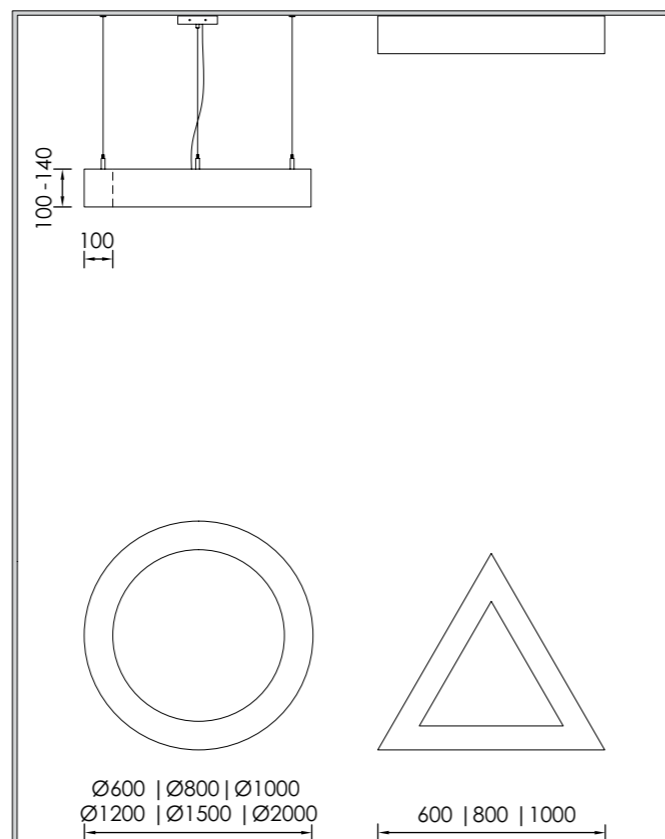
FUGA 2 RING SP UP DOWN



FUGA CURVE



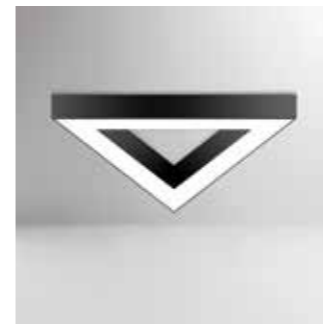
MOUNTING TYPE



FUGA 2 R TRIANGLE SP



FUGA 2 R TRIANGLE



TECHNICAL DETAILS

Housing: Extruded aluminium

Diffuser: Extruded PMMA

Control Gear: Built-in electronic transformer / driver

IP: 40 IK: 04

COLORS



OPTIONAL ACCESSORIES



LIGHTING SOURCES

FUGA 2 RING:

Linear LED | CRI80 | 3000K / 4000K

Ø 600mm - 34W - 4620Lm - 135Lm/W / 4840Lm - 142Lm/W

Ø 800mm - 47W - 6300Lm - 135Lm/W / 6600Lm - 142Lm/W

Ø1000mm - 62W - 8400Lm - 135Lm/W / 8800Lm - 142Lm/W

Ø1200mm - 75W - 10080Lm - 135Lm/W / 10560Lm - 142Lm/W

Ø1500mm - 93W - 12600Lm - 135Lm/W / 13200Lm - 142Lm/W

Ø2000mm - 130W - 17640Lm - 135Lm/W / 18480Lm - 142Lm/W

FUGA 2 RING UP DOWN:

Up Light: LED Strip 24V | CRI>80 | 3000K / 4000K

70 LED/m - 15W/m - 2000Lm/m / 2100Lm/m

Ø 600mm - 47W - 6280Lm - 130Lm/W / 6594Lm - 140Lm/W

Ø 800mm - 66W - 8794Lm - 130Lm/W / 9233Lm - 140Lm/W

Ø1000mm - 85W - 11308Lm - 130Lm/W / 11873Lm - 140Lm/W

Ø1200mm - 104W - 13822Lm - 130Lm/W / 14513Lm - 140Lm/W

Ø1500mm - 132W - 17592Lm - 130Lm/W / 18471Lm - 140Lm/W

Ø2000mm - 179W - 23874Lm - 130Lm/W / 25067Lm - 140Lm/W

Lifetime: >30.000h | Energy Class A+

Down Light: Linear LED | CRI80 | 3000K / 4000K

Ø 600mm - 34W - 4620Lm - 135Lm/W / 4840Lm - 142Lm/W

Ø 800mm - 47W - 6300Lm - 135Lm/W / 6600Lm - 142Lm/W

Ø1000mm - 62W - 8400Lm - 135Lm/W / 8800Lm - 142Lm/W

Ø1200mm - 75W - 10080Lm - 135Lm/W / 10560Lm - 142Lm/W

Ø1500mm - 93W - 12600Lm - 135Lm/W / 13200Lm - 142Lm/W

Ø2000mm - 130W - 17640Lm - 135Lm/W / 18480Lm - 142Lm/W

**3step MacAdam | Ripple < 3% | Lifetime>50000h
LM80 test report | Transmittance: 70%**



LED replacement with tools

FUGA

FUGA 2 ROUND SP



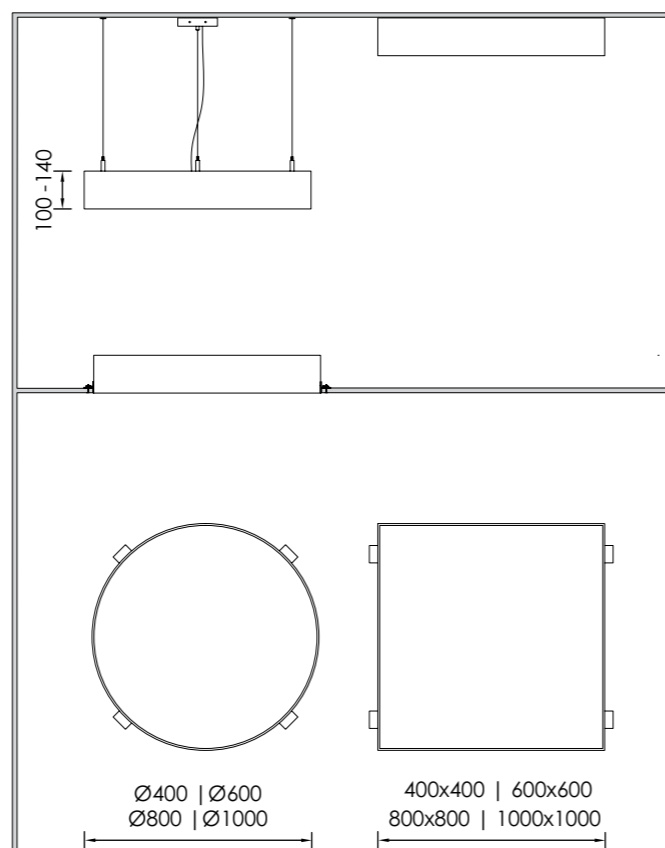
FUGA 2 ROUND



FUGA 2 ROUND TRIMLESS A



MOUNTING TYPE



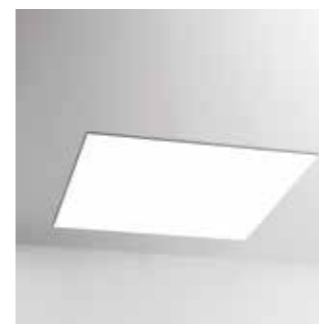
FUGA 2 SQUARE SP



FUGA 2 SQUARE



FUGA 2 SQUARE TRIMLESS A



TECHNICAL DETAILS

Housing: Extruded aluminium

Diffuser: Extruded PMMA

Control Gear: Built-in electronic transformer

IP: 40 IK: 04

COLORS



OPTIONAL ACCESSORIES



LIGHTING SOURCES

LED Strip 24V | CRI>80 | 3000K / 4000K

120 LED/m - 9.6W/m - 720Lm/W / 840Lm/W

70 LED/m - 15W/m - 2000Lm/W / 100Lm/W

Lifetime: >30.000h | Energy Class



FUGA

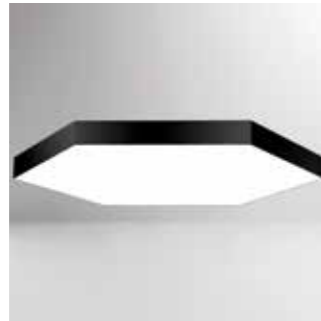
FUGA 2 HEXAGON SP



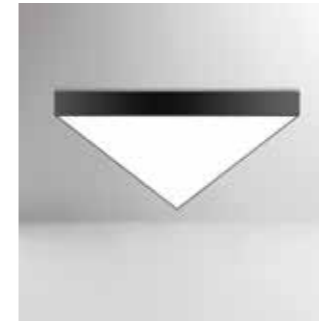
FUGA 2 TRIANGLE SP



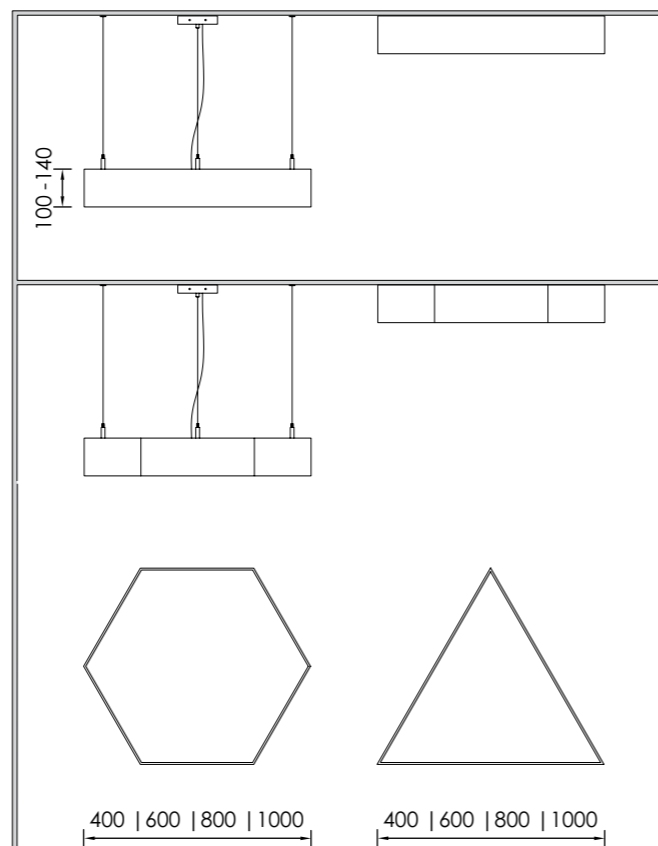
FUGA 2 HEXAGON



FUGA 2 TRIANGLE



MOUNTING TYPE



TECHNICAL DETAILS

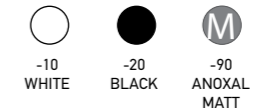
Housing: Extruded aluminium

Diffuser: Extruded PMMA

Control Gear: Built-in electronic transformer

IP: 40 IK: 04

COLORS



OPTIONAL ACCESSORIES



LIGHTING SOURCES

LED Strip 24V | CRI>80 | 3000K / 4000K

120 LED/m - 9.6W/m - 720Lm/W / 840Lm/W

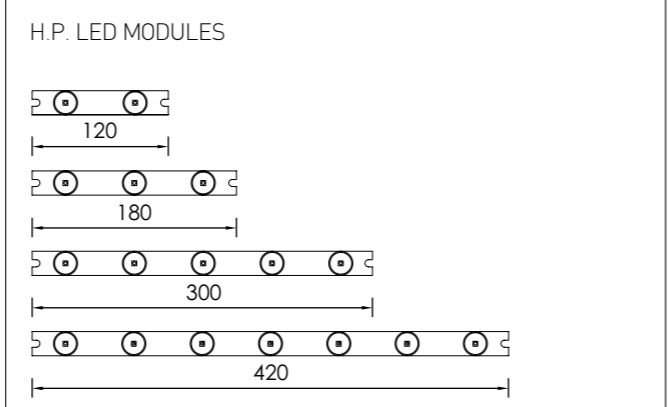
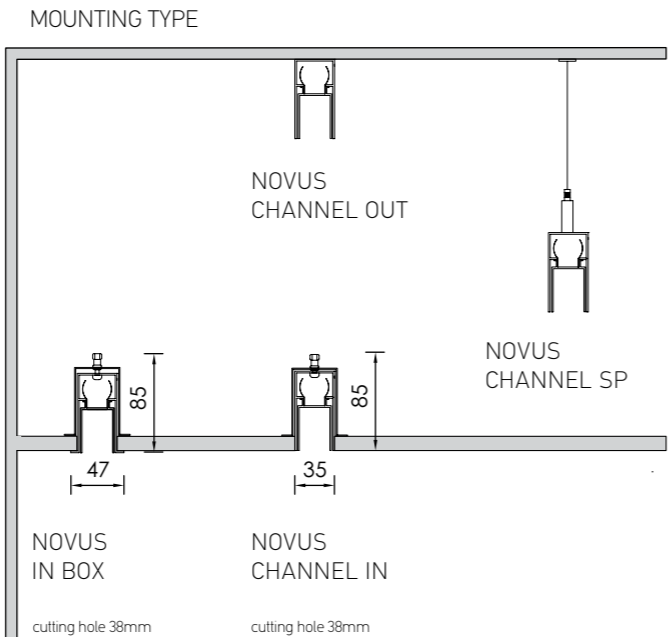
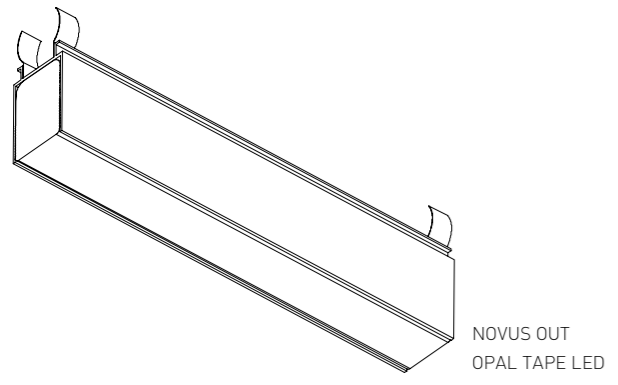
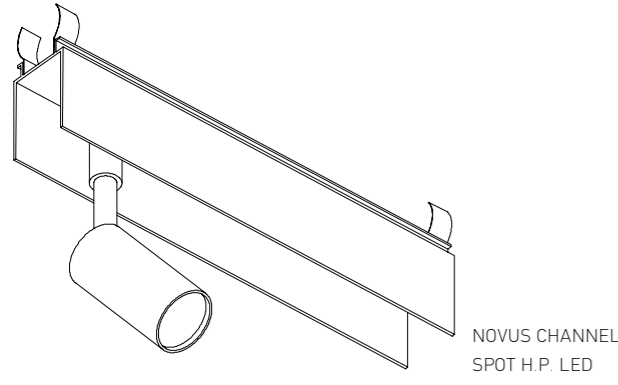
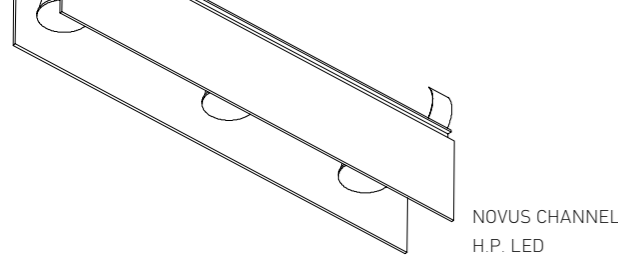
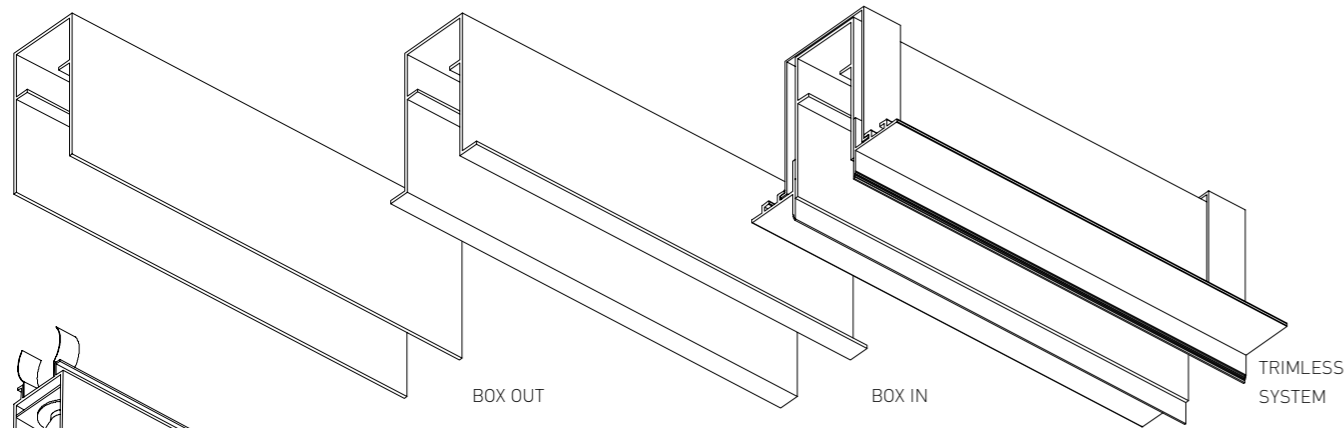
70 LED/m - 15W/m - 2000Lm/W / 100Lm/W

Lifetime: >30.000h | Energy Class A+



LED replacement with tools

NOVUS



H.P. LED Modules are available in four different standard lengths according to the number of H.P. LEDs:

- 2xH.P. LED | 120mm
- 3xH.P. LED | 180mm
- 5xH.P. LED | 300mm
- 7xH.P. LED | 420mm

They can be combined in order to achieve the desirable length of the luminaire, giving continuous lines of lighting fixtures up to 4500mm.

NOVUS CHANNEL OUT H.P. LED



NOVUS CHANNEL IN H.P. LED



NOVUS CHANNEL OUT SPOT H.P. LED



NOVUS CHANNEL IN SPOT H.P. LED



NOVUS OUT OPAL TAPE LED



TECHNICAL DETAILS

Housing: Extruded aluminium
Diffuser: Extruded PMMA Opal
Control Gear: Remote electronic transformer / driver
Reflector: 10°-20°
IP: 20 **IK:** 04

COLORS



OPTIONAL ACCESSORIES



LIGHTING SOURCES

Module H.P. LED | CRI80 | 2700K / 3000K / 4000K
Module 2xH.P. LED:
 2W - 350mA - 300Lm - 150Lm/W / 310Lm - 155Lm/W / 340Lm - 170Lm/W
 2.9W - 500mA - 420Lm - 145Lm/W / 430Lm - 148Lm/W / 460Lm - 159Lm/W

Module 3xH.P. LED:
 3W - 350mA - 450Lm - 150Lm/W / 465Lm - 155Lm/W / 510Lm - 170Lm/W
 4.4W - 500mA - 630Lm - 143Lm/W / 645Lm - 147Lm/W / 690Lm - 157Lm/W

Module 5xH.P. LED:
 5W - 350mA - 750Lm - 150Lm/W / 775Lm - 155Lm/W / 850Lm - 170Lm/W
 7.5W - 500mA - 1050Lm - 140Lm/W / 1075Lm - 143Lm/W / 1150Lm - 153Lm/W

Module 7xH.P. LED:
 7W - 350mA - 1050Lm - 150Lm/W / 1085Lm - 155Lm/W / 1190Lm - 170Lm/W
 10W - 500mA - 1470Lm - 147Lm/W / 1505Lm - 151Lm/W / 1610Lm - 161Lm/W

Lenses: 25°/40°/Oval Beam 30°65° | Reflector: 10°/20°
3step MacAdam | Ripple < 3% | Lifetime > 50.000h
LM80 test report

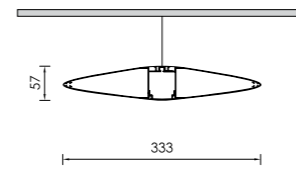
NOVUS OUT OPAL TAPE LED:

LED Strip 24V | CRI>80 | 3000K / 4000K
 120 LED/m - 9.6W/m - 720Lm/W / 840Lm/W
 70 LED/m - 15W/m - 2000Lm/W / 100Lm/W

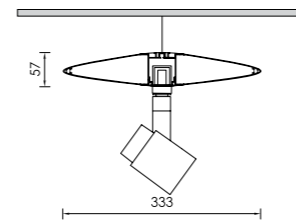
Lifetime: >30.000h | Energy Class A+
Cutting per 10cm or 6 LEDs

LED replacement with tools

OCULUS LINEAR LED



OCULUS TRACK LINEAR LED



TECHNICAL DETAILS

Housing: Extruded aluminium

Diffuser: Extruded PMMA

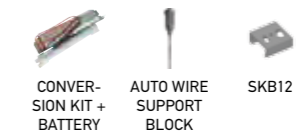
Control Gear: Built-in electronic driver

IP: 40 **IK:** 05

COLORS



OPTIONAL ACCESSORIES



LIGHTING SOURCES

2xLinear LED G4 High Lumen Output | CR180 | 3000K / 4000K

596mm	32W	CR180	5120Lm	160Lm/W	5340Lm	167Lm/W
881mm	48W	CR180	7680Lm	160Lm/W	8020Lm	167Lm/W
1161mm	64W	CR180	10240Lm	160Lm/W	10680Lm	167Lm/W
1446mm	80W	CR180	12800Lm	160Lm/W	13360Lm	167Lm/W
1726mm	96W	CR180	15360Lm	160Lm/W	16020Lm	167Lm/W
2011mm	112W	CR180	17920Lm	160Lm/W	18700Lm	167Lm/W
2291mm	128W	CR180	20480Lm	160Lm/W	21360Lm	167Lm/W
2576mm	144W	CR180	23040Lm	160Lm/W	24040Lm	167Lm/W
2856mm	160W	CR180	25600Lm	160Lm/W	26700Lm	167Lm/W
3141mm	176W	CR180	28160Lm	160Lm/W	29380Lm	167Lm/W
3421mm	192W	CR180	30720Lm	160Lm/W	32040Lm	167Lm/W
3706mm	208W	CR180	33280Lm	160Lm/W	34720Lm	167Lm/W
3986mm	224W	CR180	35840Lm	160Lm/W	38692Lm	167Lm/W
4271mm	240W	CR180	38400Lm	160Lm/W	40060Lm	167Lm/W
4551mm	256W	CR180	40960Lm	160Lm/W	42720Lm	167Lm/W

3step MacAdam | Ripple < 3% | Lifetime>50000

LM80 test report | Transmittance: 70%

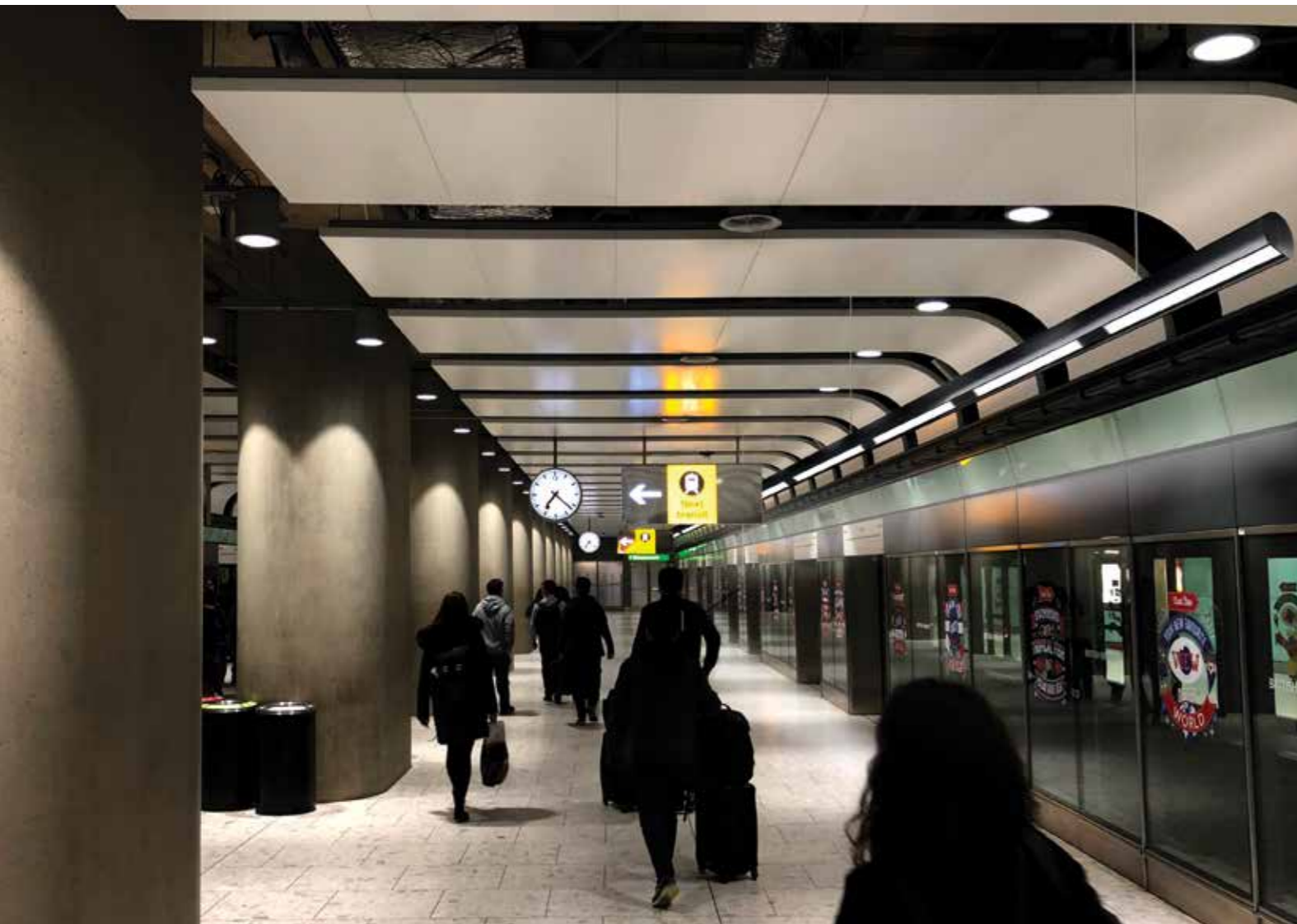
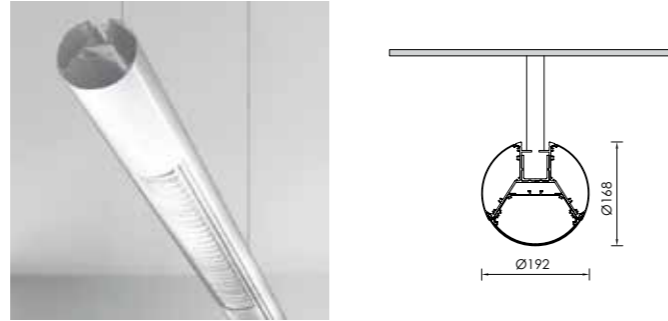


LED replacement with tools

ADITUS

ADITUS profile is specially designed for railway lighting. It consist a lighting fixture that can generate high luminosity, creating thus a safe and pleasant means of public transport. Battery-operated emergency lighting is provided in all areas, capable to cope with power failures for a period of two hours.

ADITUS



TECHNICAL DETAILS

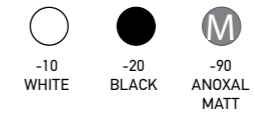
Housing: Extruded aluminium

Diffuser: Extruded PMMA | Cross

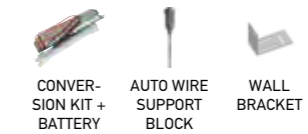
Control Gear: Built-in electronic driver

IP: 65 IK: 04

COLORS



OPTIONAL ACCESSORIES

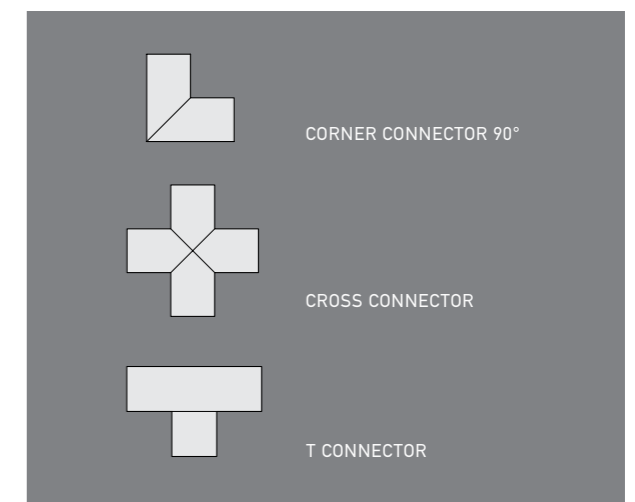


LIGHTING SOURCES

2xLinear LED G4 High Lumen Output | CRI80 | 3000K / 4000K

596mm	32W	CRI80	5120Lm	160Lm/W	5340Lm	167Lm/W
881mm	48W	CRI80	7680Lm	160Lm/W	8020Lm	167Lm/W
1161mm	64W	CRI80	10240Lm	160Lm/W	10680Lm	167Lm/W
1446mm	80W	CRI80	12800Lm	160Lm/W	13360Lm	167Lm/W
1726mm	96W	CRI80	15360Lm	160Lm/W	16020Lm	167Lm/W
2011mm	112W	CRI80	17920Lm	160Lm/W	18700Lm	167Lm/W
2291mm	128W	CRI80	20480Lm	160Lm/W	21360Lm	167Lm/W
2576mm	144W	CRI80	23040Lm	160Lm/W	24040Lm	167Lm/W
2856mm	160W	CRI80	25600Lm	160Lm/W	26700Lm	167Lm/W
3141mm	176W	CRI80	28160Lm	160Lm/W	29380Lm	167Lm/W
3421mm	192W	CRI80	30720Lm	160Lm/W	32040Lm	167Lm/W
3706mm	208W	CRI80	33280Lm	160Lm/W	34720Lm	167Lm/W
3986mm	224W	CRI80	35840Lm	160Lm/W	38692Lm	167Lm/W
4271mm	240W	CRI80	38400Lm	160Lm/W	40060Lm	167Lm/W
4551mm	256W	CRI80	40960Lm	160Lm/W	42720Lm	167Lm/W

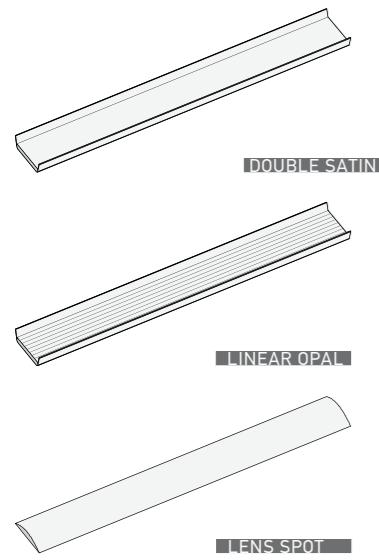
3step MacAdam | Ripple < 3% | Lifetime>50000
LM80 test report | Transmittance: 70%



LED replacement with tools

COMIS

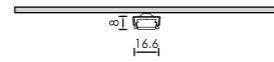
The COMIS aluminium profiles consist a series of lighting fixtures that is highly used to create the cove lighting effect. Cove light hides the fixture creating dramatic effect, can direct light either up toward the ceiling providing diffuse illumination or down creating wall washing effect. COMIS profiles can be placed in shelves and furniture highlighting their form or material. Also, their small shape provide the flexibility to create unique lighting fixtures, by combining them, giving spaces a special and different identity.



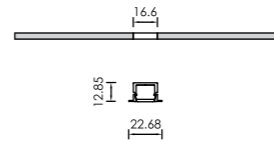
COMIS OUT



COMIS OUT SMALL



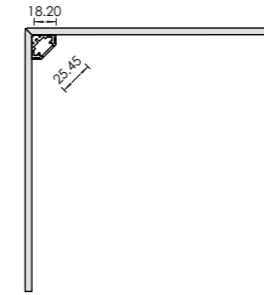
COMIS IN



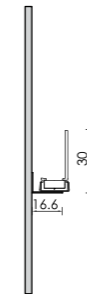
COMIS SYSTEM



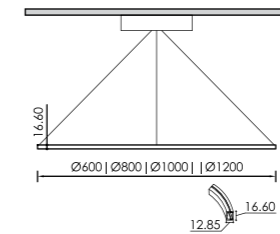
COMIS CORNER



COMIS LINE



COMIS RING



COMIS RING BASE



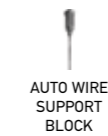
TECHNICAL DETAILS

Housing: Extruded aluminium
Diffuser: Extruded PMMA
Control Gear: Remote electronic transformer
IP: 40 **IK:** 05

COLORS



OPTIONAL ACCESSORIES



LIGHTING SOURCES

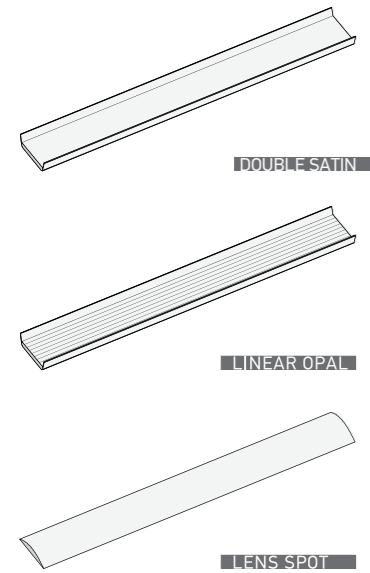
LED Strip 24V | CRI>80 | 3000K / 4000K
 120 LED/m - 9.6W/m - 720Lm/m / 840Lm/m
 70 LED/m - 15W/m - 2000Lm/m / 2100Lm/m
Lifetime: >30.000h | Energy Class A+
Cutting per 10cm or 6 LEDs



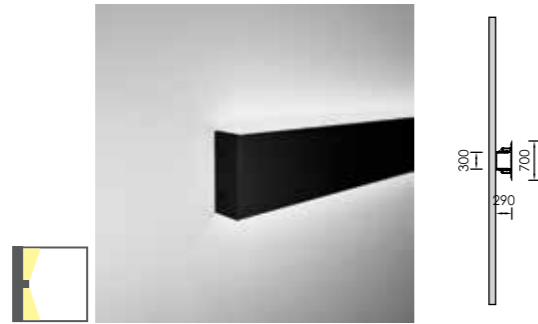
LED replacement with tools

COMIS

DIFFUSERS COMIS 4 | 5 | 5 II SP



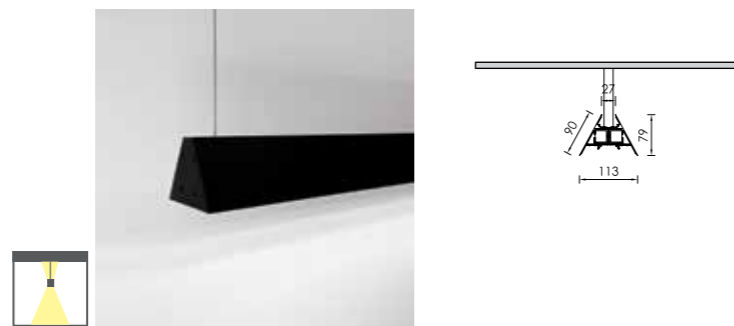
COMIS 4



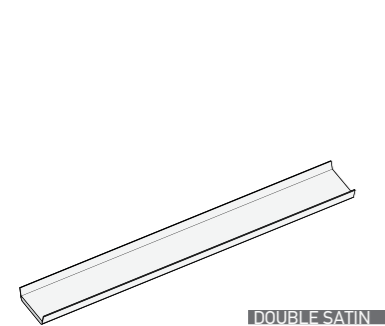
COMIS 5



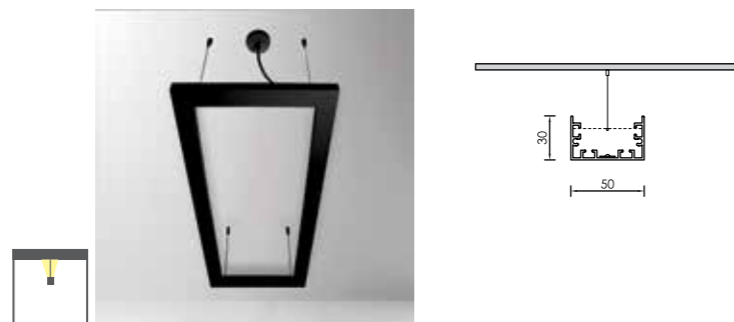
COMIS 5 II SP



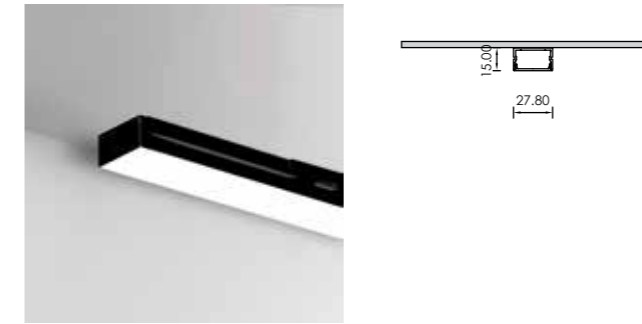
DIFFUSER COMIS 6



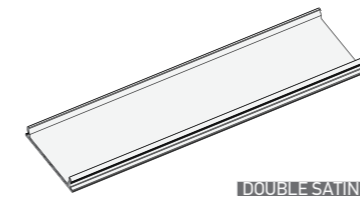
COMIS 6



COMIS 10 OUT



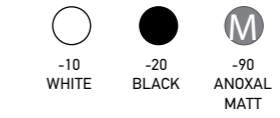
DIFFUSER COMIS 10 OUT



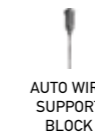
TECHNICAL DETAILS

Housing: Extruded aluminium
Diffuser: Extruded PMMA
Control Gear: Remote electronic transformer
IP: 40 **IK:** 05

COLORS



OPTIONAL ACCESSORIES



AUTO WIRE
SUPPORT
BLOCK

LIGHTING SOURCES

LED Strip 24V | CRI>80 | 3000K / 4000K
 120 LED/m - 9.6W/m - 720Lm/m / 840Lm/m
 70 LED/m - 15W/m - 2000Lm/m / 2100Lm/m
Lifetime: >30.000h | Energy Class A+
Cutting per 10cm or 6 LEDs

PROFILES



LED replacement with tools

fibreLED
LED Lighting Specialists

fibreled.com