

fibreLED

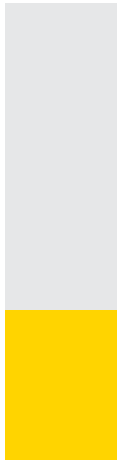
LED Lighting Specialists



LED & ARCHITECTURAL L I G H T I N G

Contents

fibreLED
LED Lighting Specialists



About ELECTRON SA

ELECTRON SA was established in 1978 and since then has been one of the leading manufacturing companies in the commercial lighting field worldwide. The company has been active in the international field for more than twelve years and today exports its products in more than 65 countries worldwide, sealing its dynamic presence by participating in international lighting exhibitions around the world. ELECTRON is located in its 2.800 sq meter building in Athens, Greece.

ELECTRON SA designs, develops and manufactures in Greece Professional Lighting Management Systems, Dimmers, and other Lighting Management Equipment of the latest technology.

ELECTRON is also proud to present the new patent-pending DMR.730 dimmer specially designed for 230V dimmable LEDs that achieves stable output voltage unaffected from mains fluctuations.

In addition, the company presents the new ARLIC and MINI ARLIC architectural lighting control systems for large multi spaces or small installations.

ELECTRON has also launched the Premium Series of wall-mounted multifunctional Controllers, available in different versions to meet individual requirements and specifications: Leading Edge Dimmers, Trailing Edge Dimmers, Relay Switches, HF Fluorescent Controllers, Sine Wave Dimmers, LED Drivers, Dali Drivers.

In addition, ELECTRON designs, develops and manufactures LED power supplies, LED converters, LED boosters, LED controllers, Splitters, Relay packs and other lighting equipment. All products are manufactured with high quality components, such as: MCBs, mains switches, RVD by HAGER, power inlets by MENNEKES-WIELAND-ABL, thyristors and triacs by THOMPSON and so on.

In an effort to cover all requirements ELECTRON SA also designs and develops custom-made Architectural Downlights with Xicato and Bridgelux LEDs with capability of selecting CCT, CRI, lumen output, optics, dimming options, emergency option.

The company also manufactures various solutions of Custom Linear LED fittings (recessed, semi recessed, pendant, trimless, inground) which are built according to the specific project requirements mainly with Nichia or CREE LEDs.

ELECTRON SA also designs a wide range of aluminium profiles for concealed lighting, in ground use, step lighting and so on. All components are from leading suppliers with whom ELECTRON has been collaborating for several years now.

Moreover, ELECTRON SA offers a complete set of architectural luminaires for outdoor and indoor use, specializing in LED technology. The LEDELEC LED range includes indoor and outdoor LED luminaires, decorative LEDs, LED modules, LED lamps, and so on. It offers excellent product quality with high technology and aesthetics that cover even the most demanding applications.

Finally, the Architectural Lighting range includes plaster lighting, indoor and outdoor fixtures.

The Entertainment Lighting and Sound Equipment include Moving Heads, Par Cans, Special Effects, Amplifiers, Conference systems, Loudspeakers 100V, and other equipment.



ELECTRON SA is certified with ISO 9001:2008 for the design, development, production and marketing of professional lighting systems.



ELECTRON

ELECTRON SA, PROFESSIONAL LIGHTING SYSTEMS
7 km National Road Athens- Lamia
68, Antiochias Str, N. Philadelphia, 143 41 Athens, Greece

Tel. +30 210 2584240
Fax. +30 210 2584245

info@electron.gr
www.electron.gr



- Any reproduction by means or whole of this prospectus in any way, is prohibited without the written consent and permission of ELECTRON SA
- ELECTRON SA reserves the right to alter specifications and other product information and to discontinue any product contained in this catalogue at any time without prior notice.
- Technical data valid at time of going to press.
- Errors and omissions excepted.
- Specifications and data may change without prior notice.
- Please note that the data included in this catalogue reflect statistical and not necessarily actual figures. Variations may occur in terms of the specifications of LEDs, such as CCT/ CRI/ W/ Dimensions, mainly due to the different production bunches of LEDs.

100% LED Installations

ELECTRON SA is proud to present 100% lighting installations, that have been realized with our products. Indicatively, we mention the following projects:

"OROLOI" retail store, Athens, Greece
Installation of custom LED Downlights, custom linear LED fittings, LED converters & power supplies



"Heel" retail store, Piraeus, Greece
Installation of custom LED Downlights, LED converters



Worldwide Projects & Awards

The products of ELECTRON SA have already been installed around the world in hotels, lounges, restaurants, retail shops, showrooms, galleries, private residences, cruise ships, multipurpose rooms, estate halls, theaters, bars, shopping malls, theaters etc. Some projects have gained international awards. Indicatively, we mention the following projects:

"M Ultra Lounge", Mykonos, Greece
Winner of the International Hotel & Property Awards in London 2012



"Lindos Blu Hotel & Suites", Lindos Rhodes, Greece
Gold Medal Winner 2012 and 2011 by TUI Thomson,
Winner of the Travellers' choice 2013, 2012 and 2011 by Tripadvisor



Big Projects & Small Installations

We are eager to offer lighting solutions from a simple and small installation to big and complicated projects. Indicatively, we mention the following project:

Alila Hotel, Rhodes, Greece
Installation of more than 250 custom LED Downlights and more than 1800m linear LED lighting that ELECTRON SA has made according to the specific project requirements



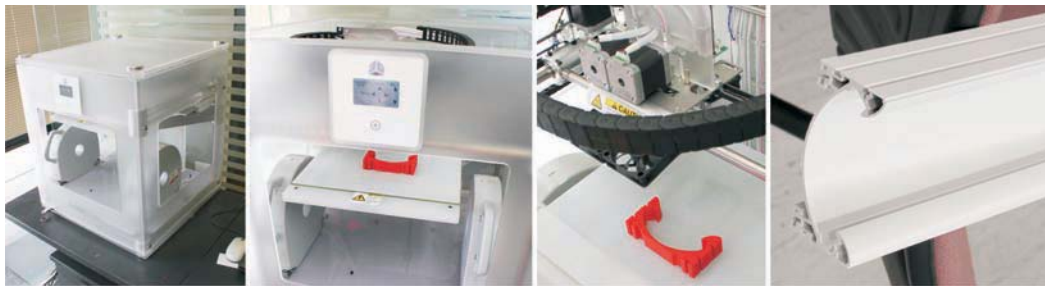
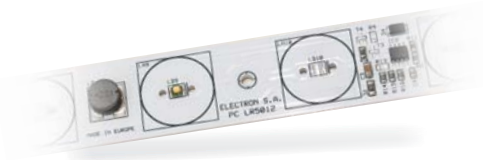
The sales team is eager to suggest the best solutions at the most competitive prices in the market.

The after sales department of the company is always available to our partners for technical information and back up service.

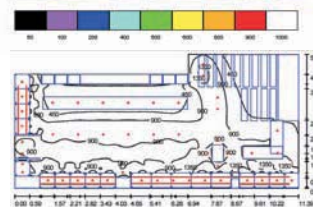
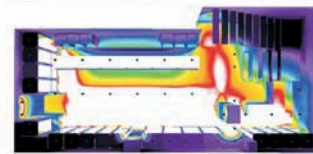
The ELECTRON team



With our 35 year experience and expertise on LED technology and lighting management systems, we are here to design, develop, and manufacture in order to meet your very custom requirements!



The lighting design team ensures the creation of installations with functionality and good aesthetics.



Contents

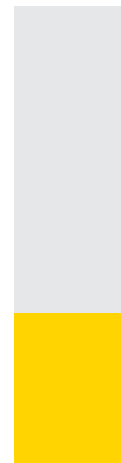
Fibre Optics >

Light Engines / Accessories

Fibre Optics

End Pieces

Fibre Optics & LED Fibre Optics



Fiber Optics

Light Engines / Accessories

Fiber Optics

End Pieces

Fiber Optics Kit & LED Fiber Optic

METAL HALIDE LIGHT ENGINE

- Standard DMX512 signal control or Master/Slave control.
- Four DMX channels, 44 preset programs.
- Digital display.
- Dimmer / STROBE.
- Audio control.
- Twinkle effect.
- UV protected.
- Over-heat protection.
- CH1: Color, CH2: Speed, CH3: Twinkle, CH4: Dimmer.



Code	Voltage	Lamp	Life of lamp	Max Aperture(mm)	Size(mm)	Weight(mm)
FOE.001 /150DMX	230VAC	CDM-T 150W	6000H	Φ30	L340×W320×H150	11,0
FOE.002 /250DMX	230VAC	MSD 250(PHILIPS)	3000H	Φ30	L340×W320×H150	12,0

HALOGEN LIGHT ENGINE

- Standard DMX512 signal control or Master/Slave control.
- Two DMX channels, 44 preset programs.
- Digital display.
- 8Colours
- Audio control.
- UV protected.
- Over-heat protection.
- CH1: Color, CH2: Speed



Code	Voltage	Lamp	Life of lamp	Max Aperture(mm)	Size(mm)	Weight(mm)
FOE.003 /100DMX	230VAC	12V 50/75/100W Halogen	3000H	Φ22	L246×W205×H125	4,0

LIGHT ENGINE IP43

- Standard DMX512 signal control or Master/Slave control.
- Two DMX channels, 44 preset programs.
- Digital display.
- 8Colours
- IP rating: IP43
- Stainless steel enclosure.
- UV protected.
- Over-heat protection.
- CH1: Color, CH2: Speed



Code	Voltage	Lamp	Life of lamp	Max Aperture(mm)	Size(mm)	Weight(mm)
FOE.004 /150DMX/IP43	230VAC	CDM-T 150W	6000H	Φ30	L335×W328×H190	10,7

ACCESSORIES

Code	Description
FOA.101	Fiber Optic Connector
FOA.102	Fiber Optic End Plug
FOA.103	Fiber Optic Channel
FOA.104	Fiber Optic Clip for FOP035 & FOP036
FOA.105	Hot Knife



FOA.101



FOA.102



FOA.103



FOA.104



FOA.105

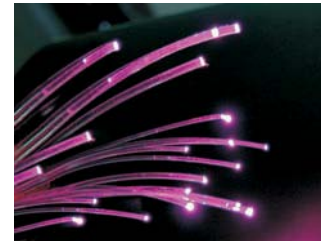


Fiber Optics
Fiber Optics

SINGLE

■ Single Fiber Optic

Code	Out.Diam(mm)	Lenght (reel)	Colour	Material
FOP001	0.5	6000m	Clear	PMMA
FOP002	0.75	2700m	Clear	PMMA
FOP003	1.0	1500m	Clear	PMMA
FOP004	1.5	700m	Clear	PMMA
FOP005	2.0	350m	Clear	PMMA
FOP006	2.5	250m	Clear	PMMA
FOP007	3.0	150m	Clear	PMMA



SINGLE WITH BLACK PVC JACKET

■ Single Fiber Optic with black PVC jacket

Code	Inner.Diam(mm)	Out.Diam(mm)	Lenght (reel)	Colour	Material
FOP008	0.75	1.5	5400m	Black	PMMA
FOP009	1.0	2.2	3000m	Black	PMMA
FOP010	1.5	3.5	1400m	Black	PMMA
FOP011	2.0	4.0	250m	Black	PMMA
FOP012	2.5	4.5	250m	Black	PMMA
FOP013	3.0	5.0	150m	Black	PMMA

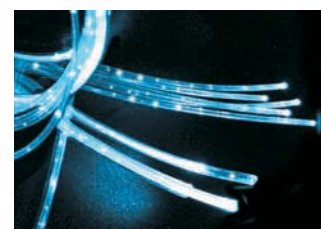


SINGLE & MULTI SIDE EMITTING

■ PMMA Side Spot Light Fiber Optic

Code	Strings	Out.Diam(mm)	Lenght (reel)	Colour	Material
FOP014	1x0.75	0.75	5400m*	Clear	PMMA
FOP015	1x1.20	1.2	5400m*	Clear	PMMA
FOP016	1x100	1	3000m**	Clear	PMMA
FOP017	1x1.60	1.6	3000m**	Clear	PMMA
FOP018	3x0.75	3.0	900m	Clear	PMMA
FOP019	3x1.00	3.5	750m	Clear	PMMA
FOP020	7x0.75	4.0	450m	Clear	PMMA

*FOP014 & FOP015 available also in 2700m
**FOP016 & FOP017 available also in 1500m



Fiber Optics

Fiber Optics

MULTI-STRING END LIGHT

■ PMMA Multi-String End Light Fiber Optic

Code	Strings	Out.Diam(mm)	Lenght (reel)*	Colour	Material
FOP021	7x0.75	3.8	30m	Black	PMMA
FOP022	25x0.75	7.0	30m	Black	PMMA
FOP023	50x0.75	9.4	30m	Black	PMMA
FOP024	75x0.75	10.5	30m	Black	PMMA
FOP025	100x0.75	12.0	30m	Black	PMMA
FOP026	126x0.75	13.0	30m	Black	PMMA

*Available also in 60m



■ PMMA Multi-String Side Light Fiber Optic

Code	Strings	Out.Diam(mm)	Lenght (reel)*	Colour	Material
FOP027	3x14	8.6	30m	Clear	PMMA
FOP028	6x14	12.6	30m	Clear	PMMA
FOP029	9x14	15.8	30m	Clear	PMMA

*Available also in 60m



MULTI-STRING SIDE LIGHT

■ Solid side light fiber optic

Code	Inner.Diam(mm)	Out.Diam(mm)	Lenght (reel)*	Colour	Material
FOP030	3	3	30m	Clear	PMMA
FOP031	6	6	30m	Clear	PMMA
FOP032	3	5	30m	Clear	PMMA
FOP033	6	8.8	30m	Clear	PMMA
FOP034	10.1	13	30m	Clear	PMMA
FOP035	11.1	14	30m	Clear	PMMA
FOP036	14.1	17.3	30m	Clear	PMMA

*Available also in 60m



SOLID SIDE LIGHT

■ Solid End Light Fiber Optic

Code	Inner.Diam(mm)	Out.Diam(mm)	Lenght (reel)*	Colour	Material
FOP037	3.0	5.0	30m	Black	PMMA
FOP038	6.0	8.6	30m	Black	PMMA
FOP039	11.0	14.0	30m	Black	PMMA
FOP040	14.0	17.3	30m	Black	PMMA

*Available also in 60m



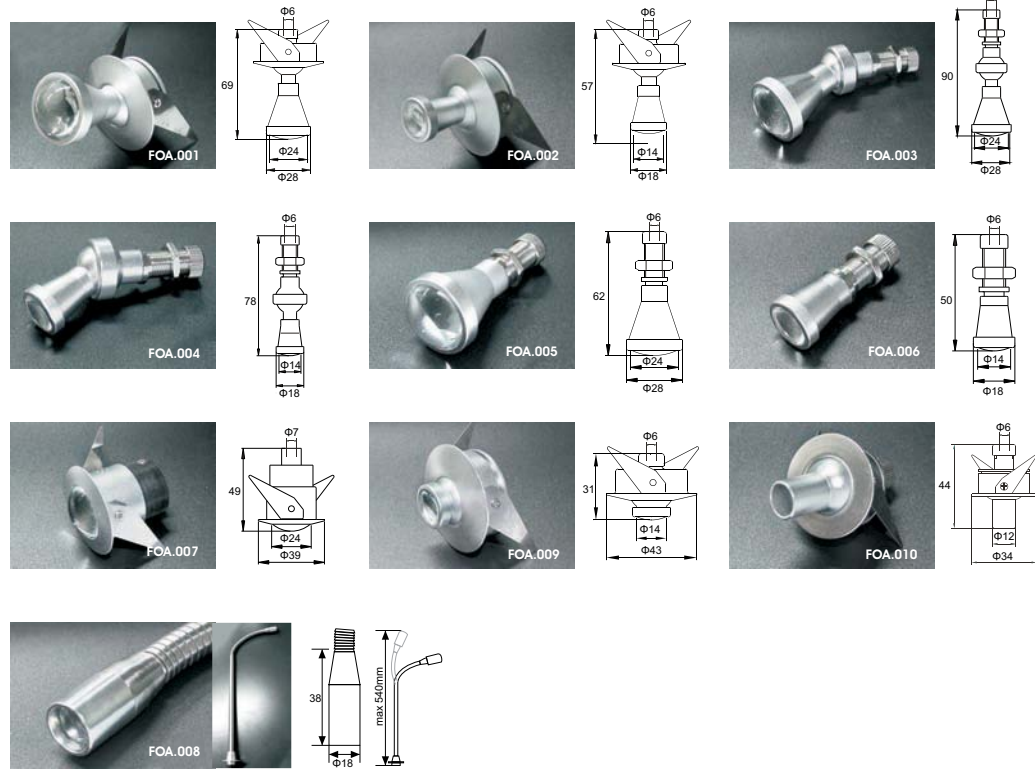
SOLID END LIGHT

CABINET END PIECE

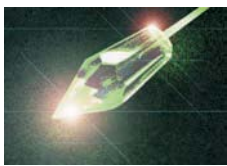


Code

- FOA.001
- FOA.002
- FOA.003
- FOA.004
- FOA.005
- FOA.006
- FOA.007
- FOA.009
- FOA.010
- FOA.008

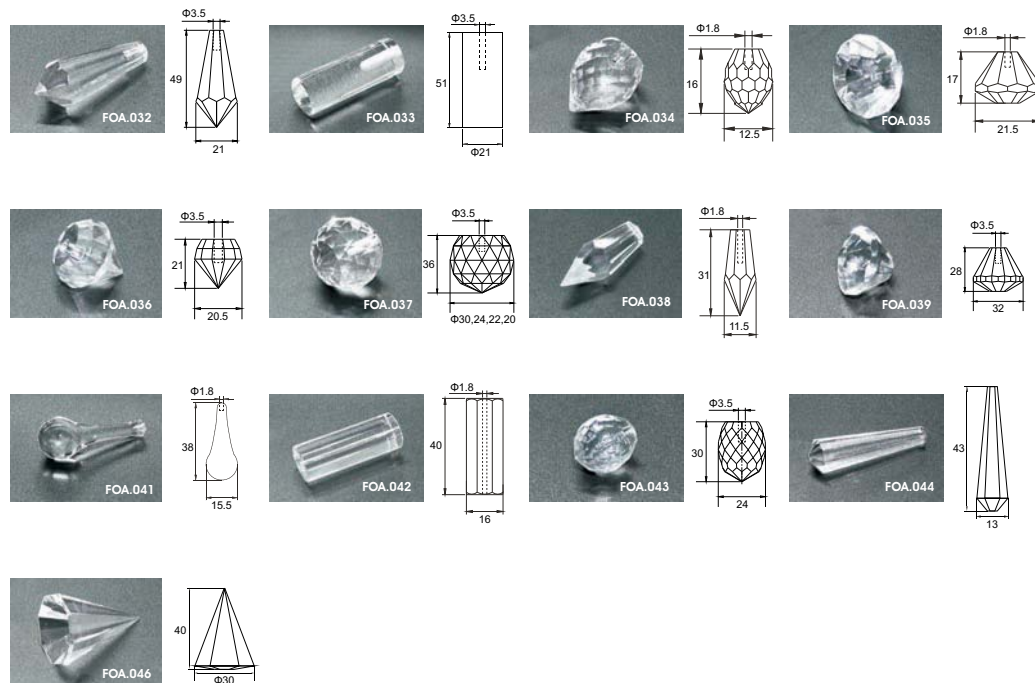


CRYSTAL END PIECE



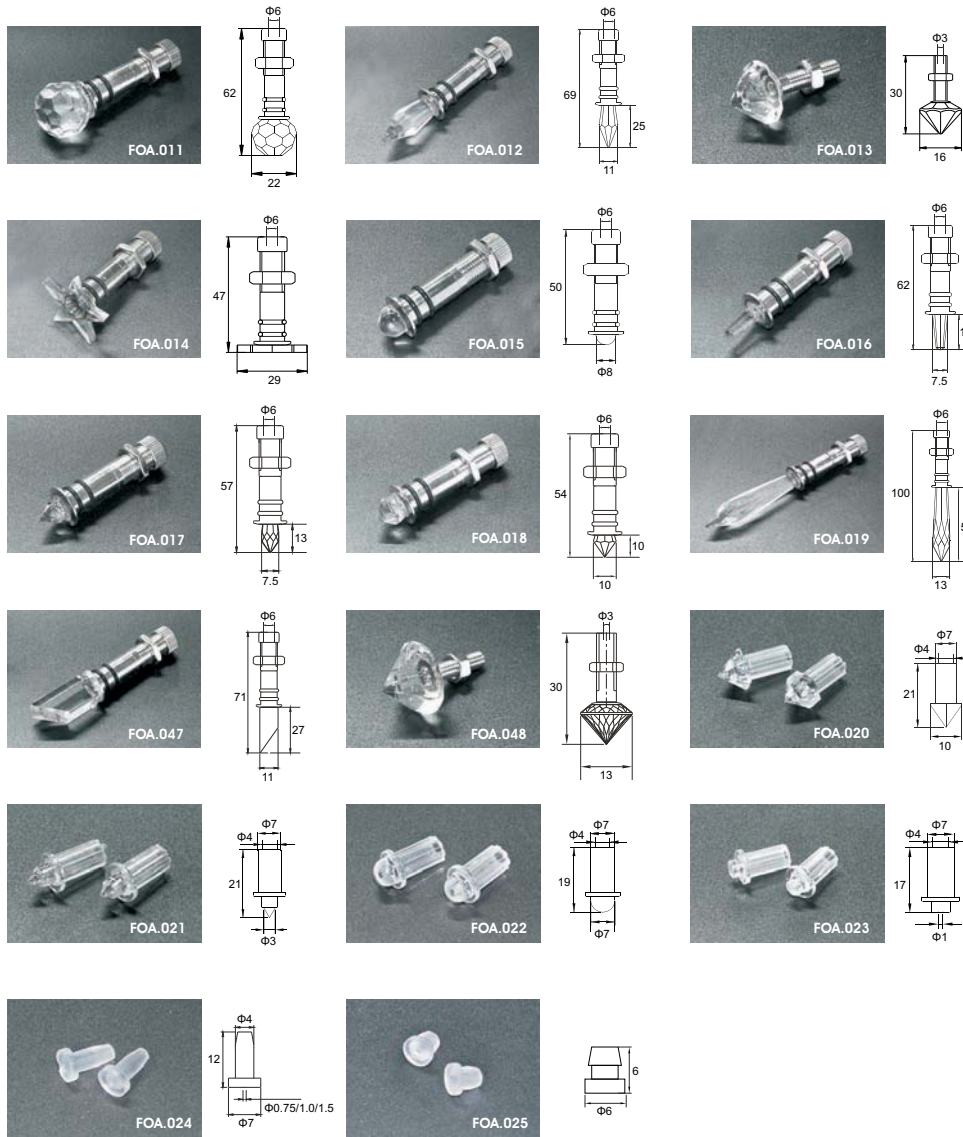
Code

- FOA.032
- FOA.033
- FOA.034
- FOA.035
- FOA.036
- FOA.037
- FOA.038
- FOA.039
- FOA.041
- FOA.042
- FOA.043
- FOA.044
- FOA.046



Fiber Optics
End Pieces

**CEILING
END PIECE**

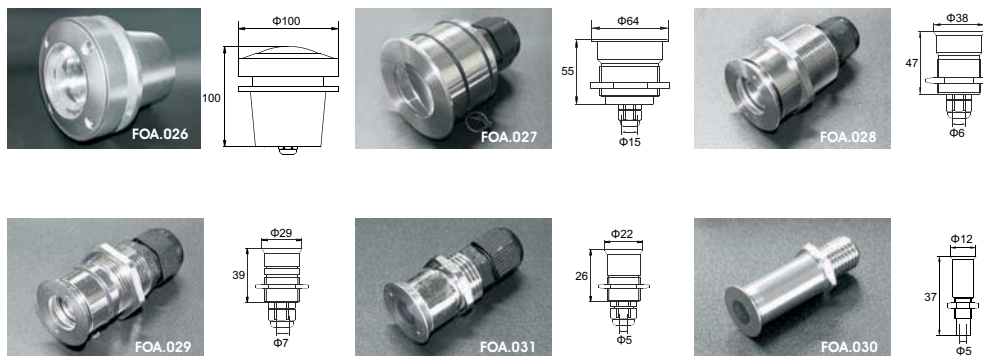


Code

- FOA.011
- FOA.012
- FOA.013
- FOA.014
- FOA.015
- FOA.016
- FOA.017
- FOA.018
- FOA.019
- FOA.047
- FOA.048
- FOA.020
- FOA.021
- FOA.022
- FOA.023
- FOA.024
- FOA.025



**BURIED
END PIECE**



Code

- FOA.026
- FOA.027
- FOA.028
- FOA.029
- FOA.031
- FOA.030



Fiber Optics

Fiber Optics Kit
& LED Fiber Optic

FIBER OPTIC KIT / 5mm

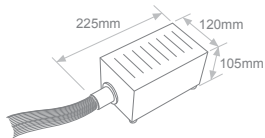
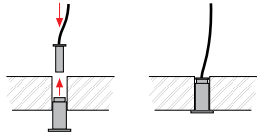


Accessories



Code	Model	No. of Fiber Optics	Watt	Diameter	Length	
LEF003	FRP006	32	50W Halogen	5mm	8pcs.x0.80m, 6pcs.x1.20m, 6pcs.x1.80m, 6pcs.x2.20m, 6pcs.x2.50m	230VAC CONTROL BY DMX

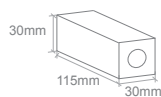
FIBER OPTIC KIT /0.75mm



Code	Model	No. of Fiber Optics	Watt	Diameter	Length	Voltage
LEF004	FRP003	120	50W Halogen	0.75mm	2m	230VAC Colour Wheel

LED FIBER OPTIC DIAMONDLED

- RGB:** Management through:
- DMX 512 controllers.
 - Wireless IR & RF control units.
 - DALI Protocol devices.
- Fiber optic kits with LED engine
 - Small size
 - Easy installation
 - 30-side lit fiber optic cables
 - 2.5m length each
 - Ideal to create your own design of chandeliers
 - Glowing end strasses
 - 3x1W RGB LED lamp



Code	Lamp	Colour	Watt	No.Cables	Length	Voltage
LEF050 /CA	LED	1R+1G+1B	3x1W	30	2.5m	5VDC

*CA=Common Anode

fibreLED

LED Lighting Specialists

www.fibreled.com

[Contents](#)