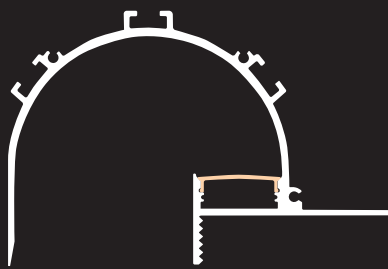


profiles for projects on request

\_ 232 \_

www.fibreled.com



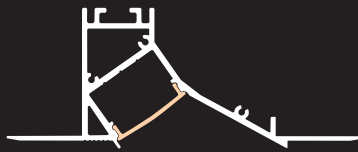
CARACAS

234



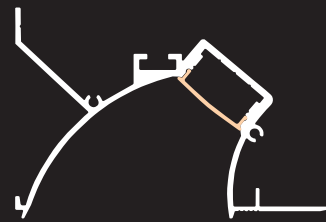
BOGOTA

234



ACAPULCO

235



CANCUN

235



TIJUANA

235



QUITO

236



MEDELLIN

236



BRASILIA

236



SANTIAGO

237



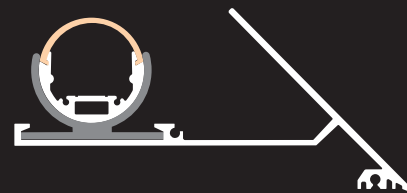
CALI

237



CUZCO

237



LIMA

238



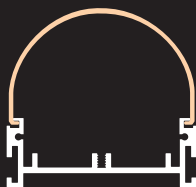
CARTAGO

238



MONTERREY

239



NASAU

239



MONTEVIDEO

239

Here at Luz Negra we have a large number of profile matrices available on request (in addition to being able to manufacture any size according to our clients' needs).

All the profiles in this section are aimed at projects. Although we don't actually hold in our current stock, they can be supplied under petition with an approximate lead time of 60-90 days.

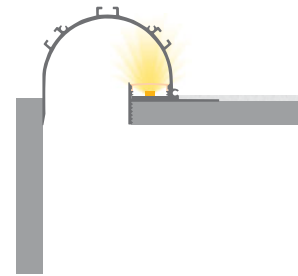
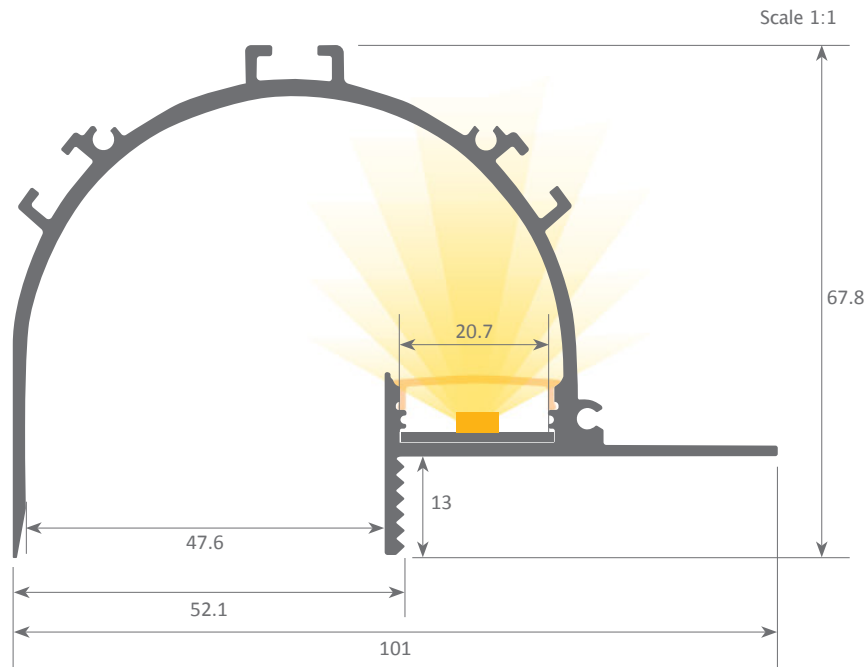
Although the bars are normally manufactured in anodised silver, we can look at different colour options and also the possibility of offering other lengths.

There is a minimum order (MOQ) of approximately 100 metre per reference. If you would like any of these profiles or any another, not already available in our full catalogue, please consult our commercial department and we will surely find the best solution for you.

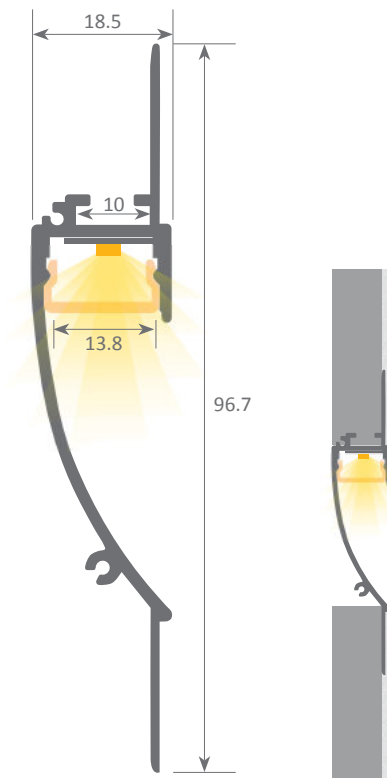
## CARACAS

Ref: 08.011

Aluminium led profile + cover intended for illuminating ceiling perimetre in rooms, giving diffused and ambience lighting. It is finished off with a layer of plaster making it completely integrated in the wall.



Scale 1:1

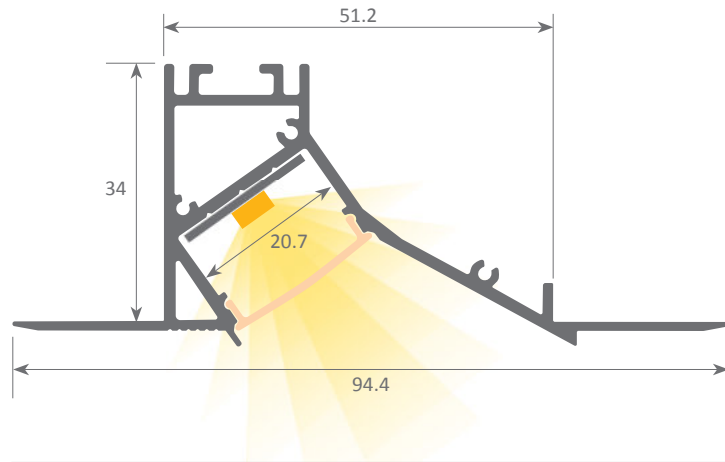


## BOGOTA

Ref: 08.010

Aluminum led profile + cover for recessing in walls and designed to offer indirect and soft linear lighting. It is finished off with a layer of plaster making it completely integrated in the wall.

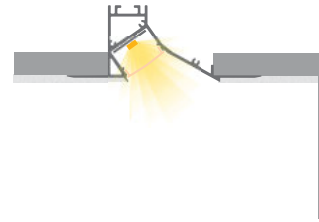
Scale 1:1



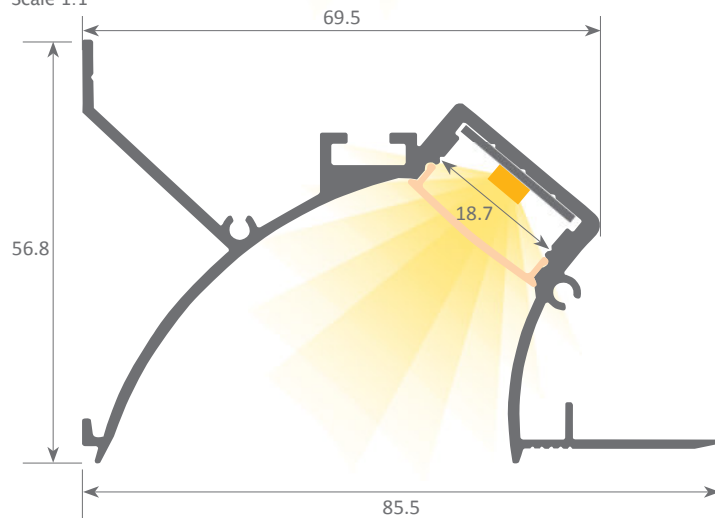
## ACAPULCO

Ref: 08.012

Aluminum led profile + cover designed to offer indirect and soft linear lighting. It is finished off with a layer of plaster making it completely integrated in the wall. It can be used on walls or ceilings.



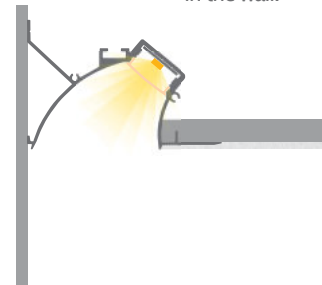
Scale 1:1



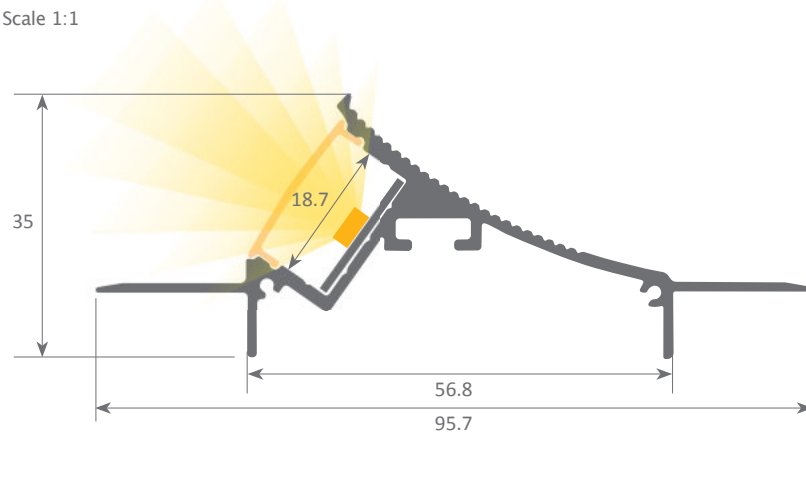
## CANCUN

Ref: 08.013

Aluminium led profile + cover intended for illuminating ceiling perimetre in rooms, giving diffused and ambience lighting. It is finished off with a layer of plaster making it completely integrated in the wall.



Scale 1:1



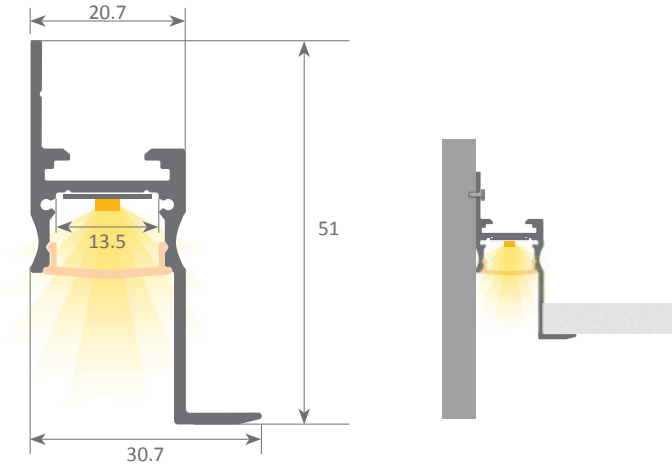
## TIJUANA

Ref: 08.014

Aluminum led profile + cover designed to offer indirect and soft linear lighting. It is finished off with a layer of plaster making it completely integrated in the wall. It can be used on walls or ceilings.



Scale 1:1

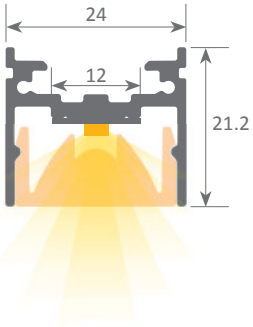


## QUITO

Ref: 08.015

Aluminium led profile + cover intended for illuminating ceiling perimetre in rooms, giving diffused and ambience lighting. It is screwed directly on to the wall and can be finished using ceiling panels such as Armstrong or Pladur drywall plates.

Scale 1:1

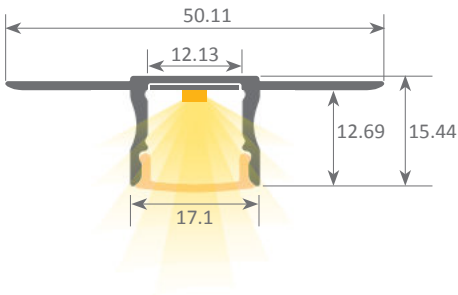


## MEDELLIN

Ref: 08.021

Led Profile + transparent optic (30°) which, using high luminosity rigid strips, projects the light over long distances.

Scale 1:1

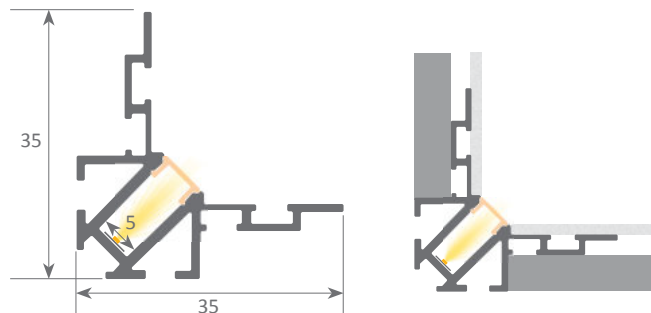


## BRASILIA

Ref: 08.017

Aluminium Led Profile + cover for ceiling applications which remains flush with conventional plasterboard.

Scale 1:1

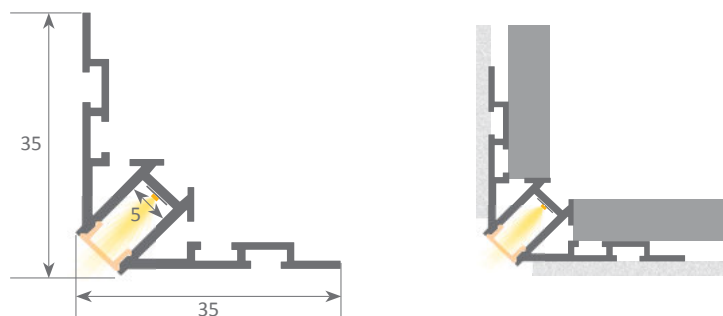


## SANTIAGO

Ref: 08.018

Aluminium led profile + cover for interior architectural corner applications. It is finished off with a layer of plaster making it completely integrated in the wall.

Scale 1:1



## CALI

Ref: 08.019

Aluminium led profile + cover for interior architectural corner applications. It is finished off with a layer of plaster making it completely integrated in the wall.

Scale 1:1

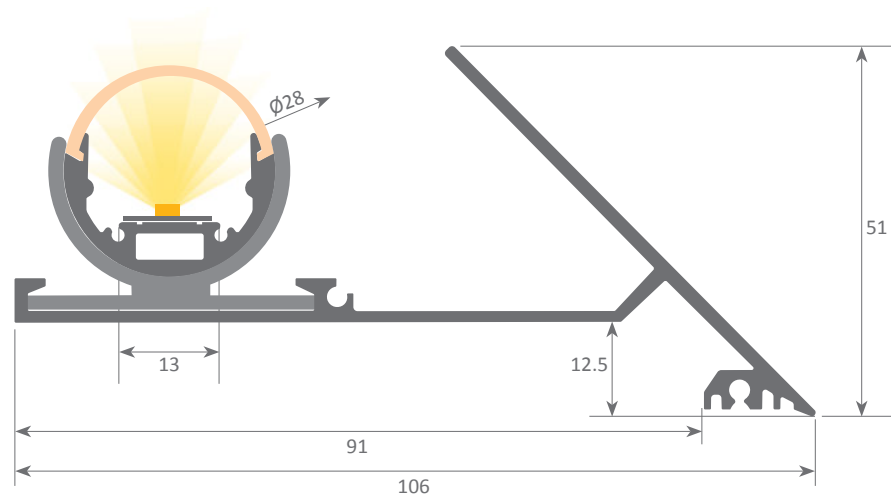


## CUZCO

Ref: 08.020

Aluminium Led Profile + cover for ceiling applications which remains flush with conventional plasterboard. As its light line is only 3.7mm wide, this makes it a very fine and elegant lighting option.

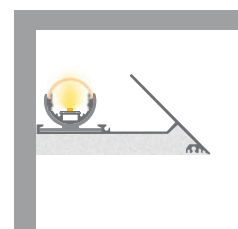
Scale 1:1



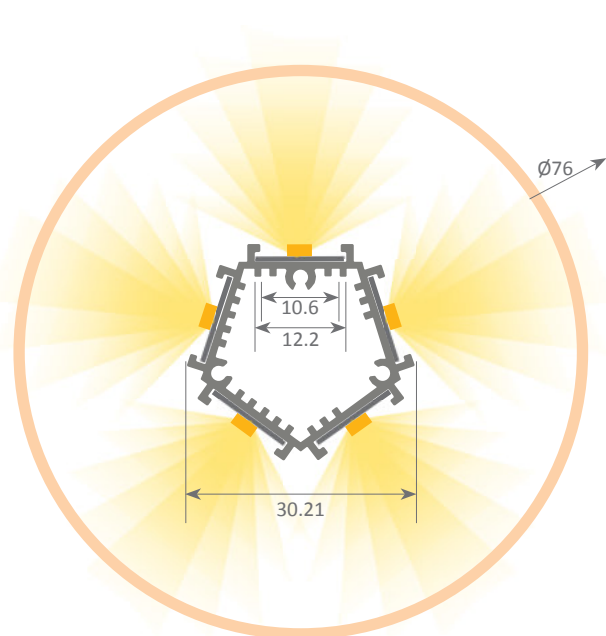
## LIMA

Ref: 08.016

Aluminium led profile base + adjustable led profile with cover, intended for perimeter ceiling lighting in rooms, offering diffused and ambience lighting. It should rest on a ledge or similar. Its diagonal shaped finishing, means that illumination is totally indirect.



Scale 1:1

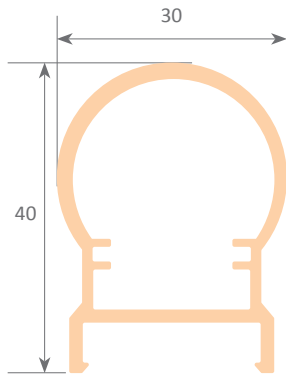


## CARTAGO

Ref: 08.022

Led profile made up of an internal aluminum core with an opal white cover which give us a cylinder with 360° light. Its metal end caps allow power supplies to be housed inside.

Scale 1:1

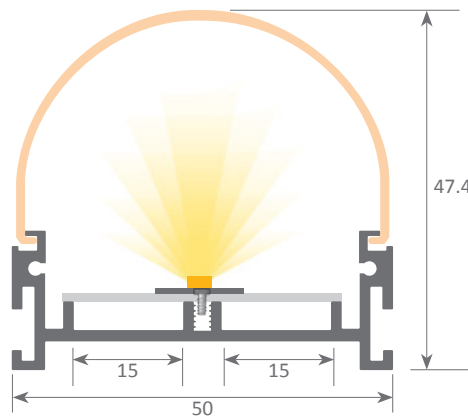


## MONTERREY

Yellow	Ref: 08.023
Orange	Ref: 08.024
Blue	Ref: 08.025
Red	Ref: 08.026
Green	Ref: 08.027
White	Ref: 08.028

Polycarbonate profile available in 6 different colours and designed for perimeter lighting on facades, buildings or similar.

Scale 1:1

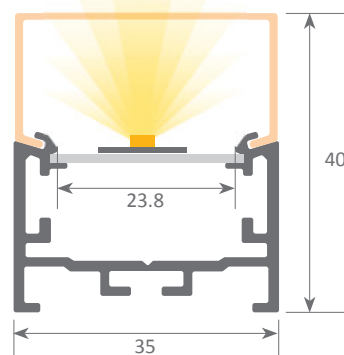


## NASAU

Ref: 08.029

Aluminum profile +cover for perimeter lighting on facades, buildings or similar.

Scale 1:1



## MONTEVIDEO

Ref: 08.030

Aluminum profile +cover for perimeter lighting on facades, buildings or similar.